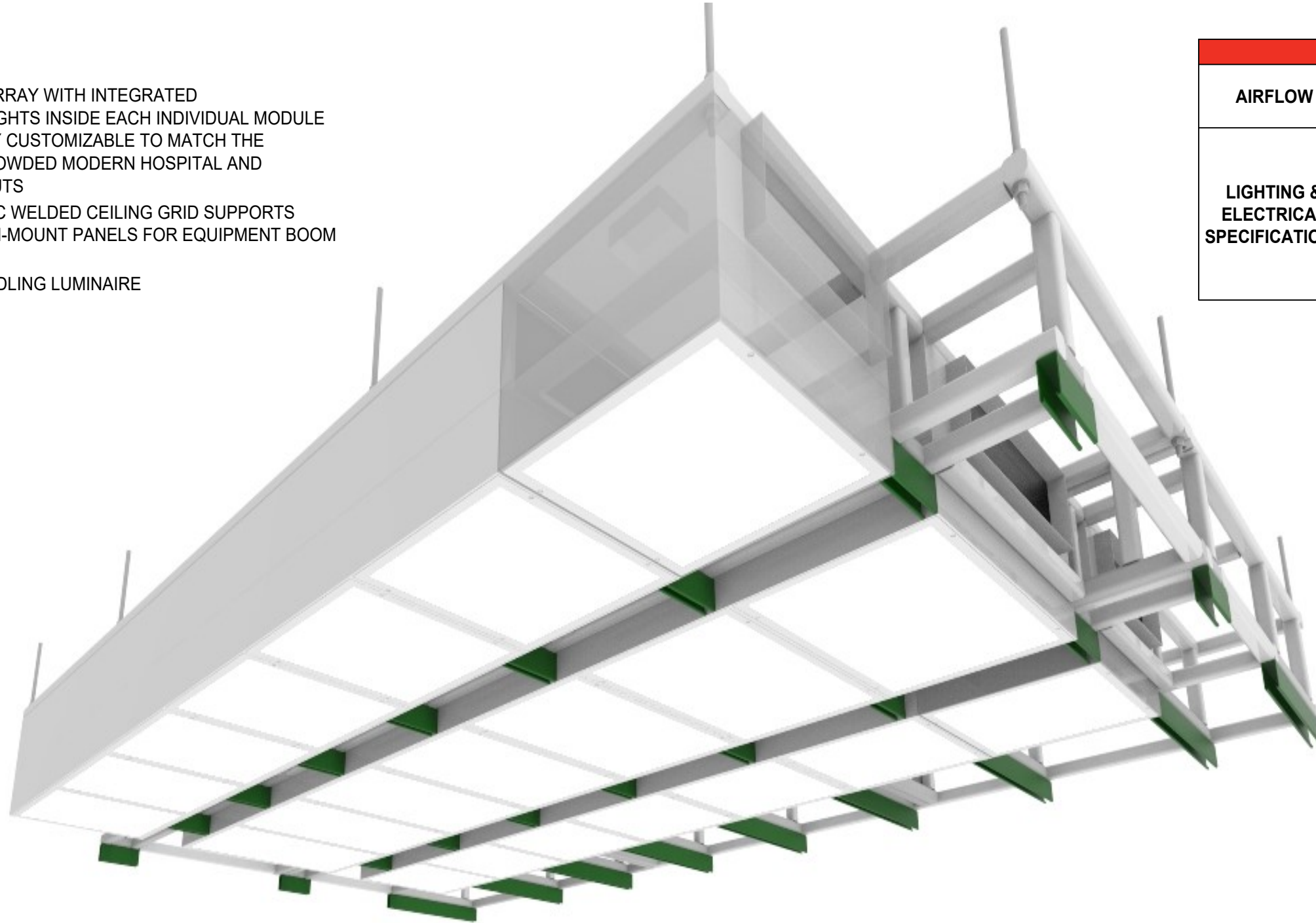


ULTRASUITE[®] + STRUCTURE

OPERATING ROOM DIFFUSER SYSTEM WITH INTEGRATED LED LIGHTING AND STEEL STRUCTURAL SUPPORT EXAMPLE SYSTEM FOR A HYBRID OR/IMAGING SUITE

FEATURES:

- LAMINAR FLOW DIFFUSER ARRAY WITH INTEGRATED HIGH-PERFORMANCE LED LIGHTS INSIDE EACH INDIVIDUAL MODULE AND HSS STRUCTURE FULLY CUSTOMIZABLE TO MATCH THE DEMANDING AND OFTEN CROWDED MODERN HOSPITAL AND CLEANROOM CEILING LAYOUTS
- OPTIONAL PERIMETER HGWC WELDED CEILING GRID SUPPORTS ACCESS PANELS AND FLUSH-MOUNT PANELS FOR EQUIPMENT BOOM INTEGRATION
- UL 1598 CERTIFIED, AIR-HANDLING LUMINAIRE



EXAMPLE SYSTEM		
AIRFLOW	2500	CFM
	20	ACH
LIGHTING & ELECTRICAL SPECIFICATIONS	5000K	COLOUR TEMPERATURE
	95	CRI
	100% TO 1%	DIMMING
	0-10V	
	277	INCOMING VOLTAGE



price | CRITICAL ENVIRONMENTS

Project:

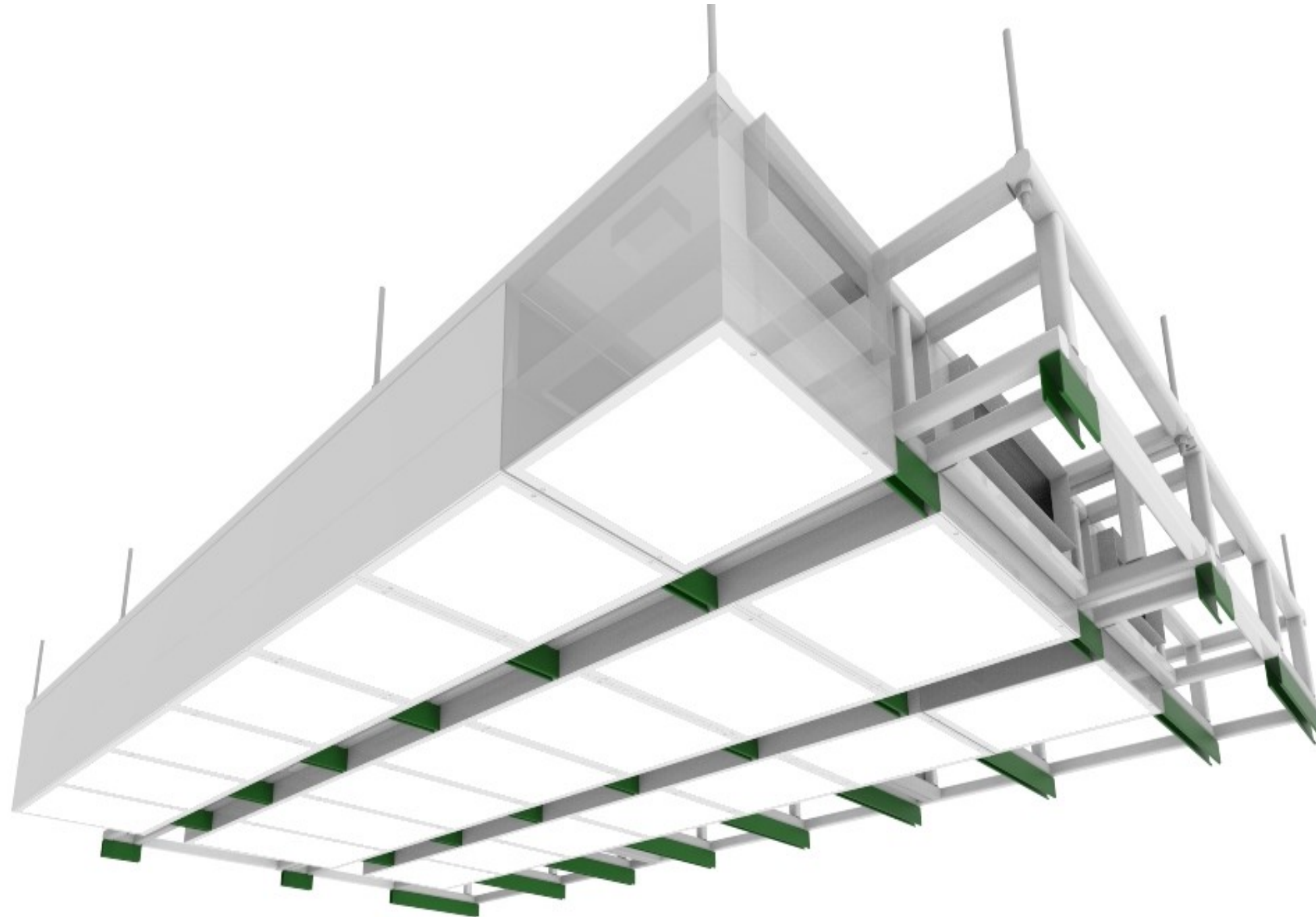
271597

Revision: A

08-01-2023

ULTRASUITE® + STRUCTURE

OPERATING ROOM DIFFUSER SYSTEM WITH INTEGRATED LED LIGHTING AND STEEL STRUCTURAL SUPPORT 3D INTERACTIVE MODEL - HYBRID OR/IMAGING SUITE



ORDER OF INSTALLATION (CLICK BUTTONS TO TOGGLE VIEWS)

- ULTRASUITE +STRUCTURE (View A)
- ULTRASUITE +STRUCTURE (View B)
- ULTRASUITE +STRUCTURE (View C)
- HGWC CEILING GRID (View A)
- HGWC CEILING GRID (View B)
- CP-SC CEILING PANELS
- PERIMETER HALF TEE
- MEDICAL EQUIPMENT SUPPORT RAILS (by Others)
- CLOSURE STRIP
- FINAL INSTALLATION

STRUCTURAL COMPONENTS (CLICK BUTTONS TO TOGGLE VIEWS)

- PRICE SUPPLIED COMPONENTS
- MEDICAL EQUIPMENT SUPPORT RAILS (by Others)
- ROOMSIDE VIEW
- ROOMSIDE VIEW WITH RCP (View A)
- ROOMSIDE VIEW WITH RCP (View B)

CLICK IMAGE TO
ACTIVATE 3D PDF



Project:

271597

Revision: A

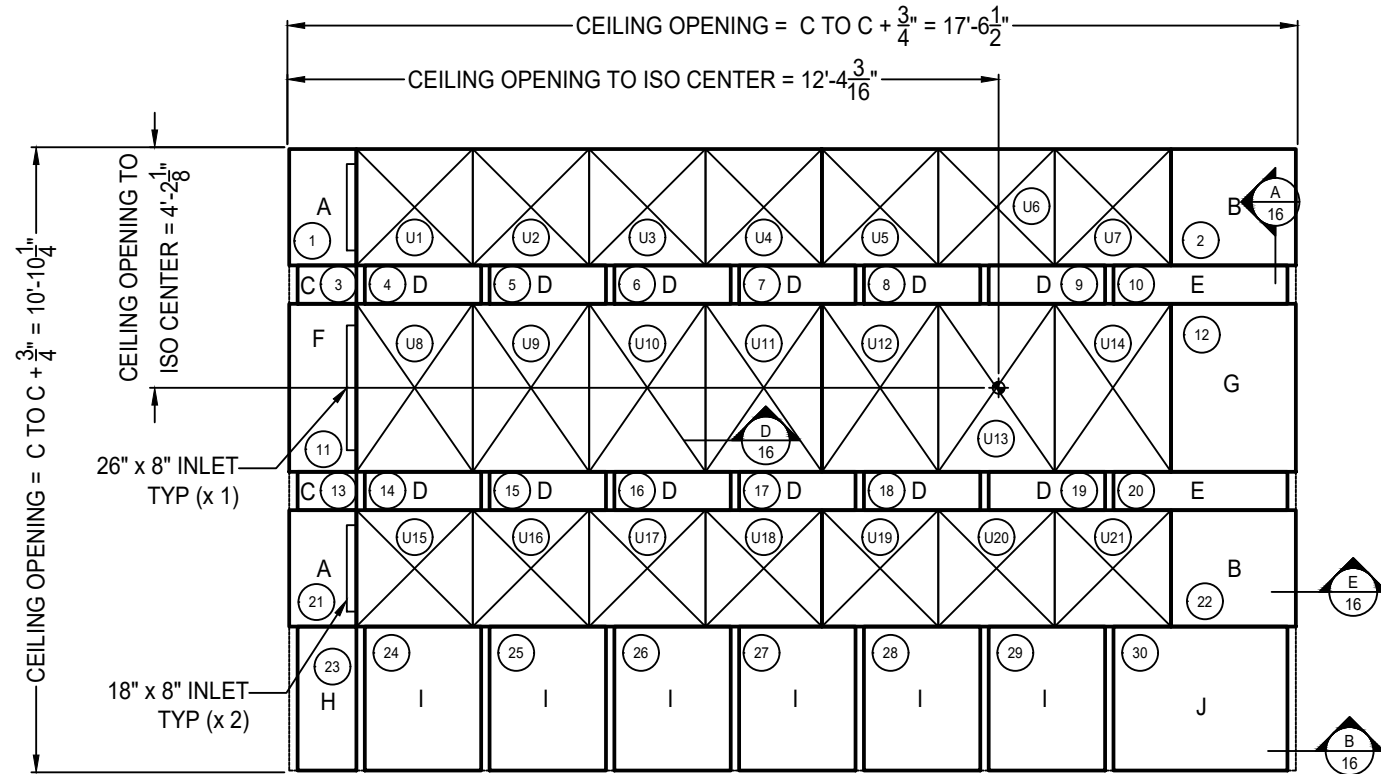
08-01-2023

- USE THE SCROLL WHEEL TO ZOOM
 - HOLD DOWN THE LEFT MOUSE BUTTON TO ROTATE
 - HOLD DOWN CTRL AND LEFT MOUSE BUTTON TO MOVE
- BOOM SUPPORT AND STRUCTURE PROVIDED BY PRICE
BOOM AND BOOM PLATE PROVIDED AND INSTALLED BY OTHERS

ULTRASUITE® + STRUCTURE

OPERATING ROOM DIFFUSER SYSTEM WITH INTEGRATED LED LIGHTING AND STEEL STRUCTURAL SUPPORT

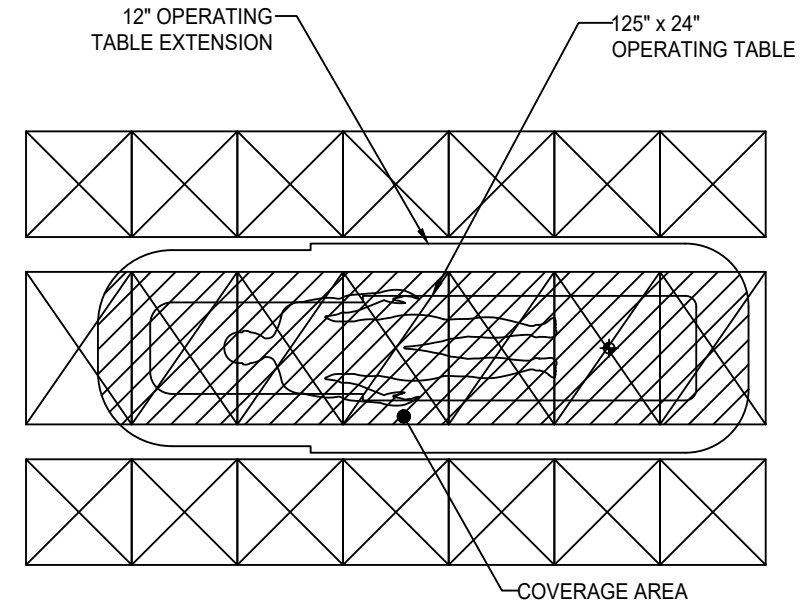
REFLECTED CEILING PLAN - HYBRID OR/IMAGING SUITE



USA AREA = 98 sq. ft. HGWC AREA = 91 sq. ft.

USA - ULTRASUITE MODULES	HGWC LOOSE HALF TEE PERIMETER TRIM PIECE	SC - SOLID CORE ACCESS PANELS
24 x 24 (x 14) 24 x 35 (x 7)	120" (x 8)	A: 13.9 x 24.0 (x 2) F: 13.9 x 34.6 (x 1) B: 24.0 x 25.7 (x 2) G: 25.7 x 34.6 (x 1) C: 7.9 x 12.1 (x 2) H: 12.1 x 29.7 (x 1) D: 7.9 x 24.0 (x 12) I: 24.0 x 29.7 (x 6) E: 7.9 x 25.7 (x 2) J: 29.7 x 35.9 (x 1)

ASHRAE 170-2021 TABLE COVERAGE VERIFICATION - HYBRID OR/IMAGING SUITE



THIS LAYOUT COMPLIES WITH ASHRAE 170-2021 7.4.1.b.	
ASHRAE 170-2021 7.4.1.a. COMPLIANCE AIRFLOW RANGE	ASHRAE 170-2021 7.4.1.b. COMPLIANCE
2500 - 3400 CFM BASED ON 98 SQFT	24% OF THE 12" OPERATING TABLE EXTENSION USED FOR NON DIFFUSER USES

ASHRAE 170-2021

7.4.1.a. - THE AIRFLOW SHALL BE UNIDIRECTIONAL, DOWNWARDS, AND THE AVERAGE VELOCITY OF THE DIFFUSERS SHALL BE 25 TO 35 CFM/SQFT (127 TO 178 L/S/QM). THE DIFFUSERS SHALL BE CONCENTRATED TO PROVIDE AN AIRFLOW PATTERN OVER THE PATIENT AND SURGICAL TEAM.
7.4.1.b. - THE COVERAGE AREA OF THE PRIMARY SUPPLY DIFFUSER ARRAY SHALL EXTEND A MINIMUM OF 12 IN. (305 mm) BEYOND THE FOOTPRINT OF THE SURGICAL TABLE ON EACH SIDE. WITHIN THE PORTION OF THE PRIMARY SUPPLY DIFFUSER ARRAY THAT CONSISTS OF AN AREA ENCOMPASSING 12 IN. (305mm) ON EACH SIDE OF THE FOOTPRINT OF THE SURGICAL TABLE, NO MORE THAN 30% OF THIS PORTION OF THE PRIMARY SUPPLY DIFFUSER ARRAY AREA SHALL BE USED FOR NON DIFFUSER USES SUCH AS LIGHTS, GAS COLUMNS, EQUIPMENT BOOMS, ACCESS PANELS, SPRINKLERS, ETC.

- B12 STANDARD WHITE FINISH
- PANEL CUTOUPS FOR BOOMS DONE IN FIELD BY OTHERS
- THE CEILING IS FACTORY PREMANUFACTURED TO SIZES AND TOLERANCE +/- 1/8"
- SITE ADJUSTMENTS TO PERIMETER SOFFITS AND/OR DRYWALL MAY BE REQUIRED AND ARE THE RESPONSIBILITY OF THE INSTALLER
- ASHRAE 170 VERIFICATION IS SHOWN TO ASSIST IN PROJECT COORDINATION. FINAL ASHRAE 170 COMPLIANCE, AS WELL AS COMPLIANCE WITH ALL APPLICABLE LOCAL CODES AND REQUIREMENTS REMAINS THE RESPONSIBILITY OF THE EOR OR INSTALLER ON THE PROJECT



Project:

271597

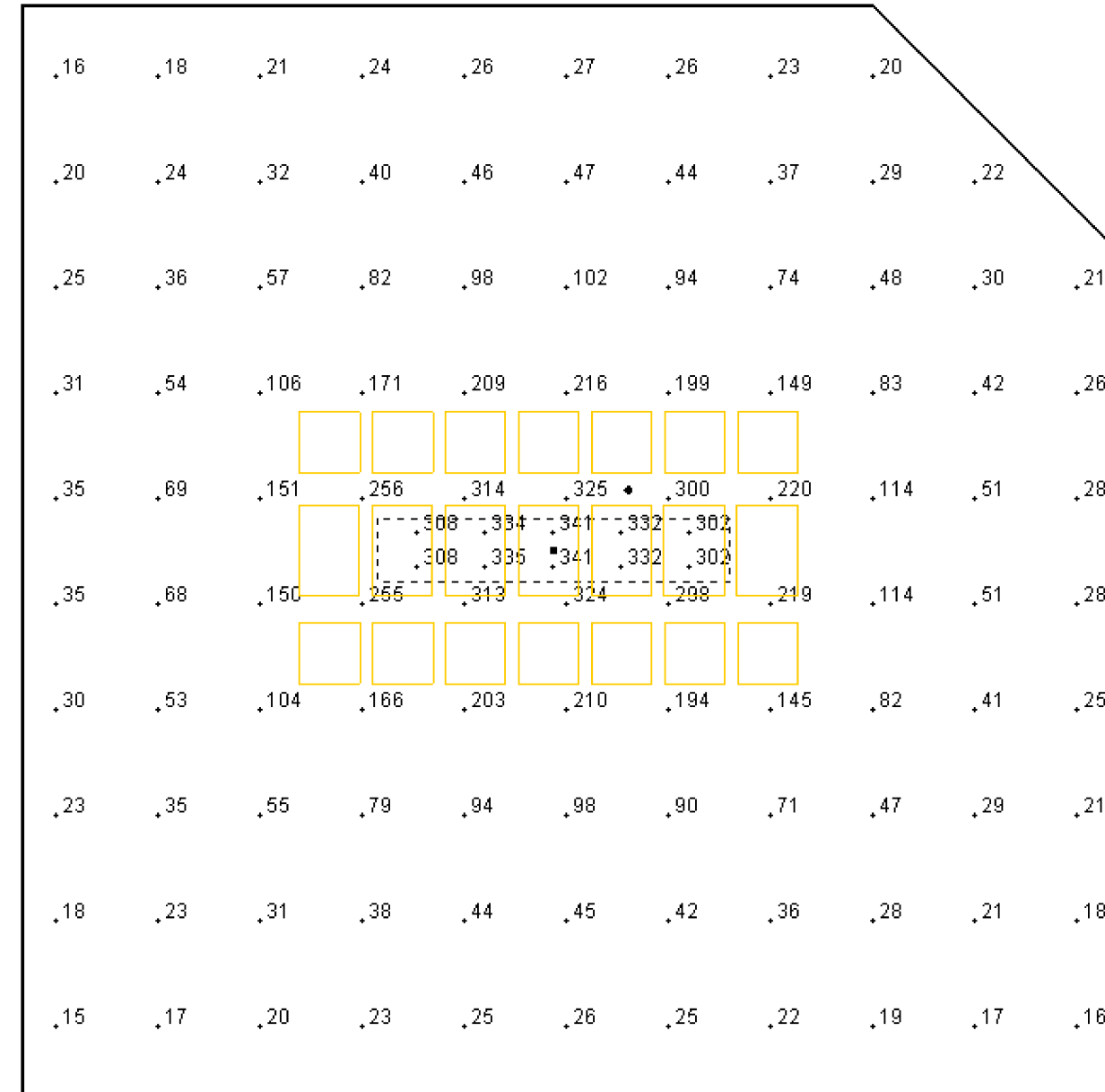
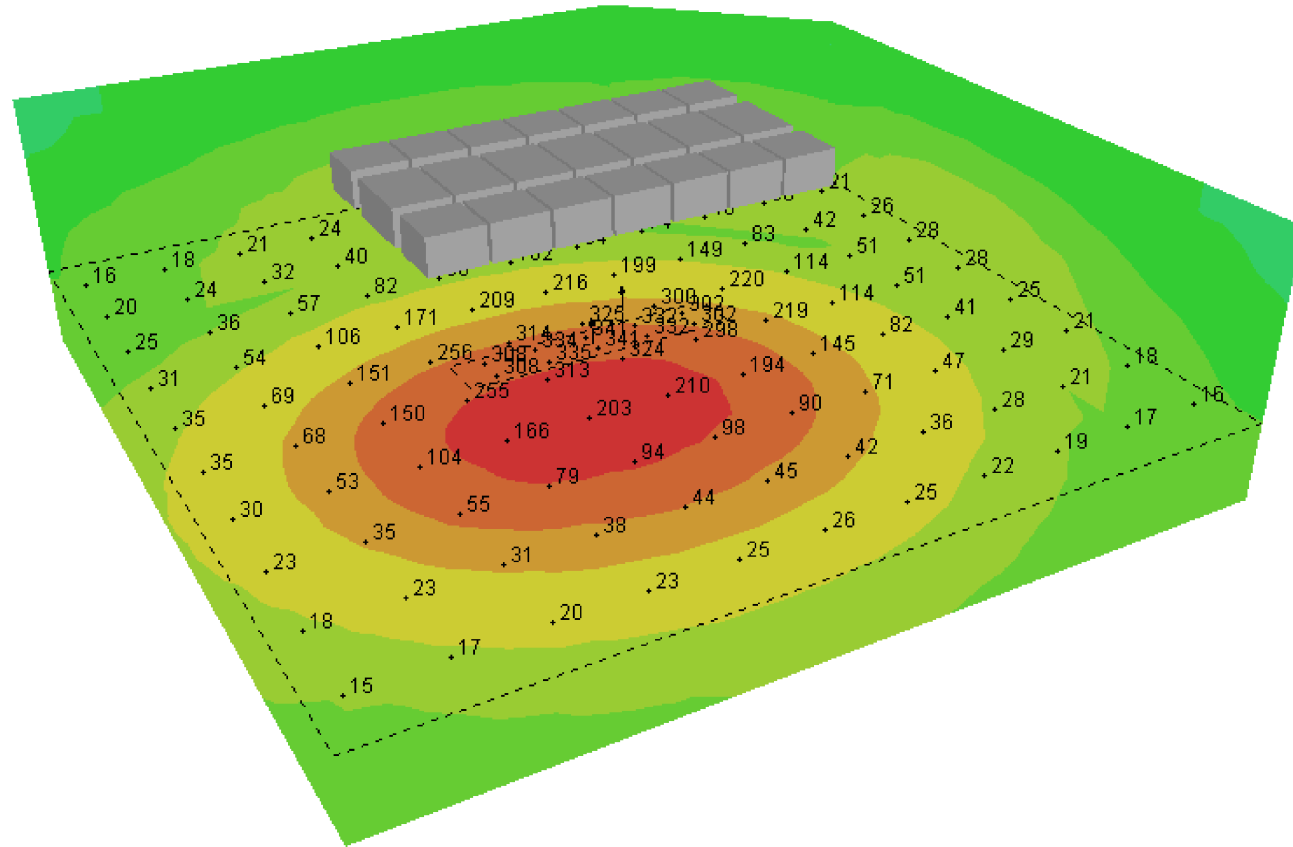
Revision: A

08-01-2023

ULTRASUITE® + STRUCTURE

OPERATING ROOM DIFFUSER SYSTEM WITH INTEGRATED LED LIGHTING

PHOTOMETRIC ANALYSIS - HYBRID OR/IMAGING SUITE



OPERATING TABLE		OPERATING AREA	
MAXIMUM	341 fc	MAXIMUM	325 fc
AVERAGE	324 fc	AVERAGE	81 fc

LUMINAIRE HEIGHT: 9 FT
CALCULATION ZONE: 3 FT

Project: _____

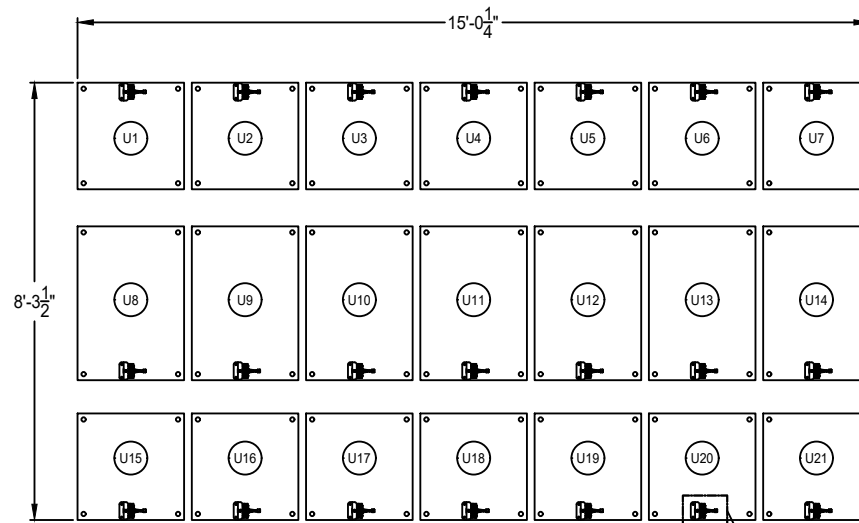
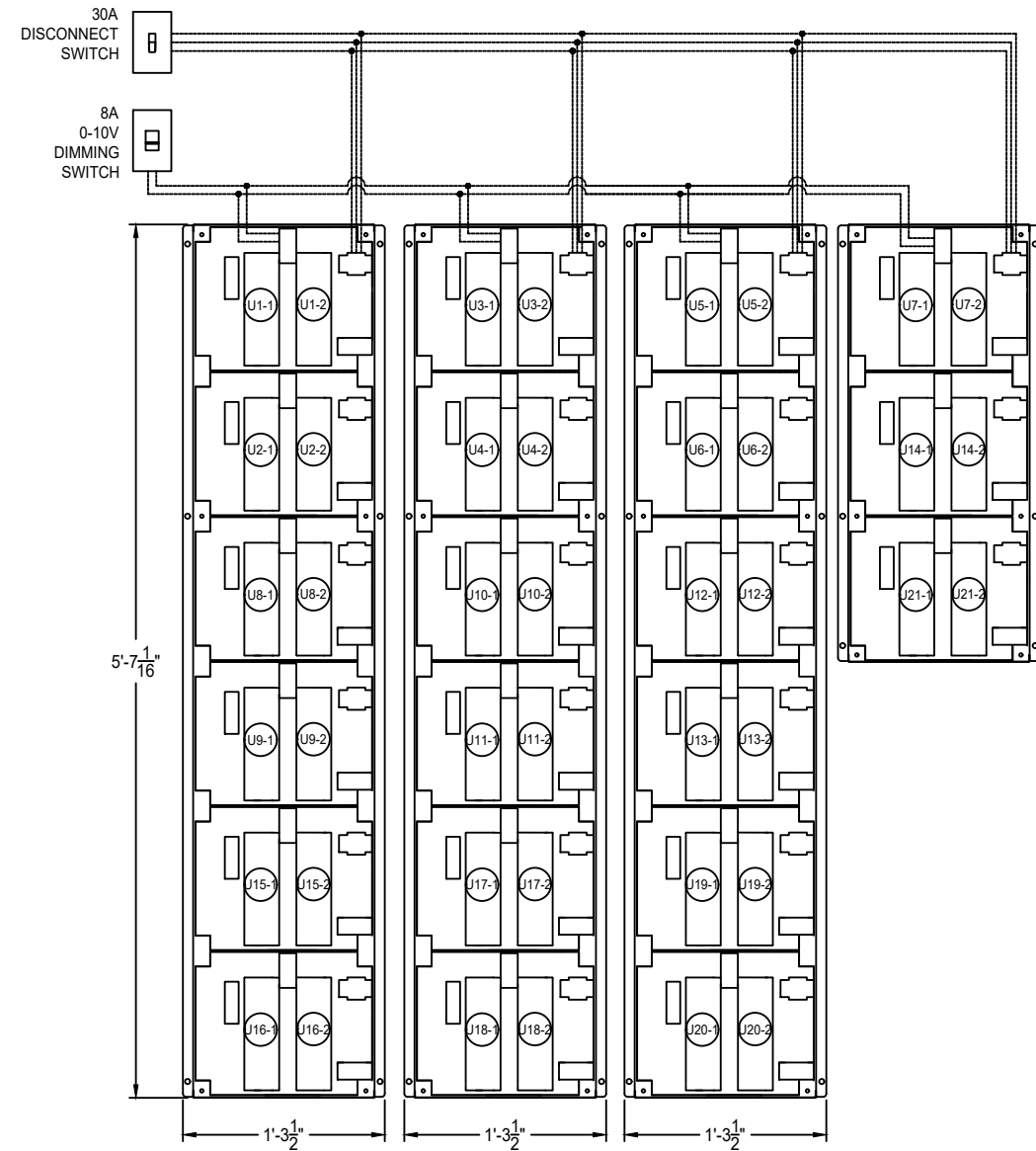
271597
Revision: A
08-01-2023

- PHOTOMETRIC ANALYSIS BASED ON A 3' CALCULATION ZONE, 833 ROOM SQFT & 9' CEILING HEIGHT.
- ANSII/IES RP-29-16 RECOMMENDS 3000 LUX (279 FC) AT THE OPERATING TABLE
- THE CALCULATED VALUES REFLECT ADDITIONAL SPACE LIGHTING BY OTHERS.
- LIGHTING ANALYSIS HAS BEEN PERFORMED USING THIRD PARTY LAB TESTED .IES FILES.
- THIS LAYOUT REFLECTS TWO ROWS OF 5000K, 95 CRI LEDS PER MODULE. A THIRD ROW, HIGH OUTPUT OPTION IS AVAILABLE.
- LIGHTING CALCULATIONS ARE ESTIMATED USING BEST PRACTICE AND MAY DIFFER SLIGHTLY FROM ACTUAL FIELD CONDITIONS.

ULTRASUITE® + STRUCTURE

OPERATING ROOM DIFFUSER SYSTEM WITH INTEGRATED LED LIGHTING AND STEEL STRUCTURAL SUPPORT

- URDC ULTRA REMOTE DRIVER CABINETS - SINGLE DIMMING ZONE (100 TO 1% DIMMING) - HYBRID OR/IMAGING SUITE PRECISION DIMMING OPTION

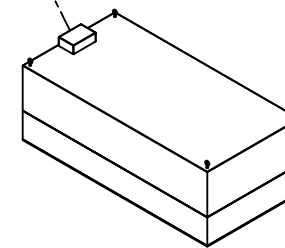


CABINET 1 - 1 OF 4 - CONTROLS 6 MODULES WITH 12 DRIVERS			
DRIVER TAG	LED WATTAGE	DRIVER TAG	LED WATTAGE
U1-1	56	U1-2	56
U2-1	56	U2-2	56
U8-1	76	U8-2	76
U9-1	76	U9-2	76
U15-1	56	U15-2	56
U16-1	56	U16-2	56
TOTAL WATTAGE:		AC CURRENT:	
752		4.8A/277VAC	

CABINET 2 - 2 OF 4 - CONTROLS 6 MODULES WITH 12 DRIVERS			
DRIVER TAG	LED WATTAGE	DRIVER TAG	LED WATTAGE
U3-1	56	U1-2	56
U4-1	56	U2-2	56
U10-1	76	U8-2	76
U11-1	76	U9-2	76
U17-1	56	U15-2	56
U18-1	56	U16-2	56
TOTAL WATTAGE:		AC CURRENT:	
752		4.8A/277VAC	

CABINET 3 - 3 OF 4 - CONTROLS 6 MODULES WITH 12 DRIVERS			
DRIVER TAG	LED WATTAGE	DRIVER TAG	LED WATTAGE
U5-1	56	U5-1	56
U6-1	56	U6-2	56
U12-1	76	U12-2	76
U13-1	76	U13-2	76
U19-1	56	U19-2	56
U20-1	56	U20-2	56
TOTAL WATTAGE:		AC CURRENT:	
752		4.8A/277VAC	

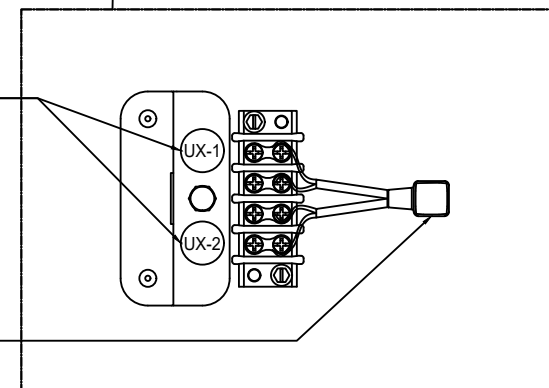
CABINET 4 - 4 OF 4 - CONTROLS 3 MODULES WITH 6 DRIVERS			
DRIVER TAG	LED WATTAGE	DRIVER TAG	LED WATTAGE
U7-1	56	U7-2	56
U14-1	76	U14-2	76
U21-1	56	U21-2	56
TOTAL WATTAGE:		AC CURRENT:	
376		2.4A/277VAC	



EACH STANDARD MODULE COMES WITH TWO ROWS OF LEDS THAT EACH REQUIRE ONE (+ & -) LOW VOLTAGE FIELD CONNECTION AND ARE NOTED BY A "UX-X" LABEL. A THIRD ROW, HIGH OUTPUT OPTION IS AVAILABLE IF REQUIRED.

EACH STANDARD MODULE COMES WITH 2 ROWS OF LED LIGHTS AND EACH ROW OF LIGHTS IS NOTED BY A "UX-X" LABEL. THE "UX" CORRESPONDS TO AN INDIVIDUAL MODULE REFERENCED IN THE RCP AND THE "-1" AND "-2" CORRESPONDS TO THE ROW OF LEDS FOR THAT MODULE. EACH "UX-X" LABEL CORRESPONDS TO ONE (+ & -) LOW VOLTAGE WIRE TO BE FIELD CONNECTED TO URDC DRIVER CABINET AS PER THE MATCHING LABELS. EACH 100W DRIVER CAN POWER 1 ROW OF LEDS (ONE HALF OF A MODULE) AND EACH 600W DRIVER CAN CONTROL 6 ROWS OF LEDS (3 MODULES)

EACH MODULE COMES WITH A TOP MOUNTED TERMINAL BLOCK ENCLOSURE (COVER NOT SHOWN) FOR LOW VOLTAGE FIELD CONNECTIONS. QUICK CONNECT FITTING IS SEALED THROUGH PLENUM AND ALL INTERNAL WIRING IS COMPLETED IN THE FACTORY. EACH ROW OF LEDS REQUIRES ONE (+&-) LOW VOLTAGE FIELD CONNECTIONS (TWO PER MODULE)



• INSTALLATION WORK AND ELECTRICAL WIRING MUST BE COMPLETED BY A CERTIFIED ELECTRICIAN AND/OR QUALIFIED PERSON(S) IN ACCORDANCE WITH APPLICABLE ELECTRICAL CODES AND STANDARDS



Project:

271597

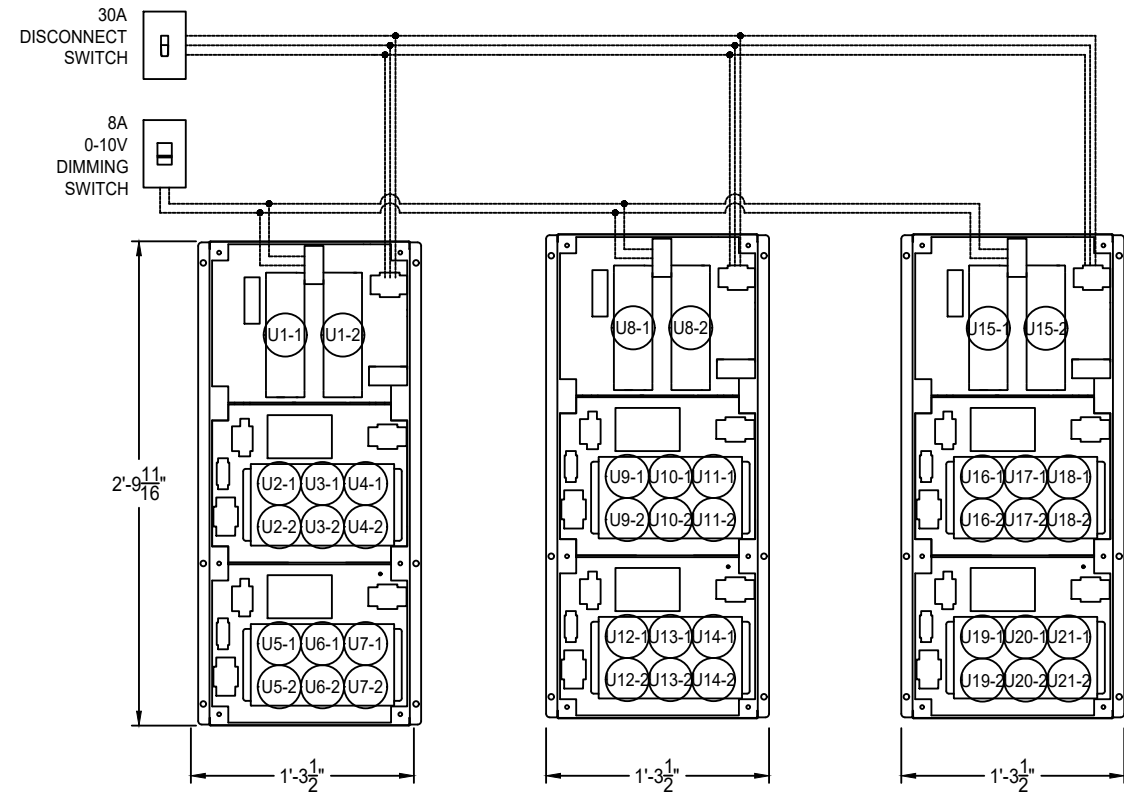
Revision: A

08-01-2023

ULTRASUITE® + STRUCTURE

OPERATING ROOM DIFFUSER SYSTEM WITH INTEGRATED LED LIGHTING AND STEEL STRUCTURAL SUPPORT

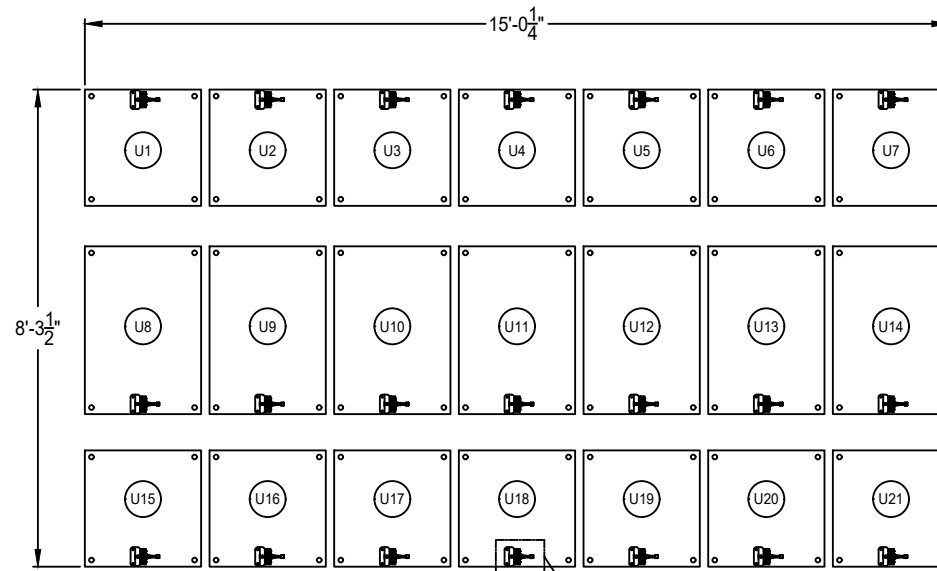
- URDC ULTRA REMOTE DRIVER CABINETS - SINGLE DIMMING ZONE (100 TO 10% DIMMING) - HYBRID OR/IMAGING SUITE COMPACT / SPACE SAVINGS OPTION



CABINET 1 OF 3 CONTROLS 7 MODULES WITH 4 DRIVERS. THE MAX AMP DRAW IS 6.8A @ 277V~.

CABINET 2 OF 3 CONTROLS 7 MODULES WITH 4 DRIVERS. THE MAX AMP DRAW IS 6.8A @ 277V~.

CABINET 3 OF 3 CONTROLS 7 MODULES WITH 4 DRIVERS. THE MAX AMP DRAW IS 6.8A @ 277V~.



CABINET 1 - 1 OF 2 - CONTROLS 6 MODULES WITH 2 DRIVERS					
DRIVER TAG	LED WATTAGE	LED DRIVER LOADING (%)	DRIVER TAG	LED WATTAGE	LED DRIVER LOADING (%)
U1-1	56	56%	U1-2	56	56%
U2-1	56		U5-1	56	
U2-2	56		U5-2	56	
U3-1	56		U6-1	56	
U3-2	56		U6-2	56	
U4-1	56		U7-1	56	
U4-2	56	U7-2	56		
TOTAL WATTAGE:		784	AC CURRENT:		6.8A/277VAC

CABINET 2 - 2 OF 3 - CONTROLS 7 MODULES WITH 4 DRIVERS					
DRIVER TAG	LED WATTAGE	LED DRIVER LOADING (%)	DRIVER TAG	LED WATTAGE	LED DRIVER LOADING (%)
U8-1	76	76%	U8-2	76	76%
U9-1	76		U12-1	76	
U9-2	76		U12-2	76	
U10-1	76		U13-1	76	
U10-2	76		U13-2	76	
U11-1	76		U14-1	76	
U11-2	76		U14-2	76	
TOTAL WATTAGE:		1064	AC CURRENT:		6.8A/277VAC

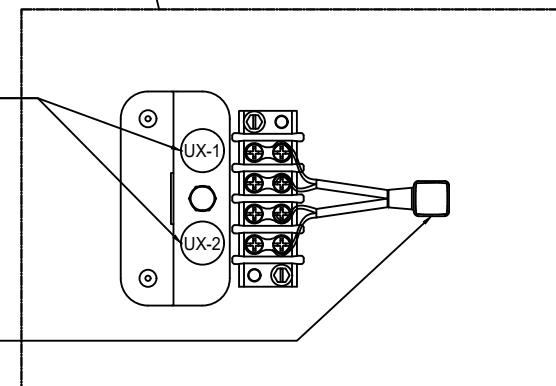
CABINET 3 - 3 OF 3 - CONTROLS 7 MODULES WITH 4 DRIVERS					
DRIVER TAG	LED WATTAGE	LED DRIVER LOADING (%)	DRIVER TAG	LED WATTAGE	LED DRIVER LOADING (%)
U15-1	56	56%	U15-2	56	56%
U16-1	56		U19-1	56	
U16-2	56		U19-2	56	
U17-1	56		U20-1	56	
U17-2	56		U20-2	56	
U18-1	56		U21-1	56	
U18-2	56		U21-2	56	
TOTAL WATTAGE:		784	AC CURRENT:		6.8A/277VAC



EACH STANDARD MODULE COMES WITH TWO ROWS OF LEDS THAT EACH REQUIRE ONE (+ & -) LOW VOLTAGE FIELD CONNECTION AND ARE NOTED BY A "UX-X" LABEL. A THIRD ROW, HIGH OUTPUT OPTION IS AVAILABLE IF REQUIRED.

EACH STANDARD MODULE COMES WITH 2 ROWS OF LED LIGHTS AND EACH ROW OF LIGHTS IS NOTED BY A "UX-X" LABEL. THE "UX" CORRESPONDS TO AN INDIVIDUAL MODULE REFERENCED IN THE RCP AND THE "-1" AND "-2" CORRESPONDS TO THE ROW OF LEDS FOR THAT MODULE. EACH "UX-X" LABEL CORRESPONDS TO ONE (+ & -) LOW VOLTAGE WIRE TO BE FIELD CONNECTED TO URDC DRIVER CABINET AS PER THE MATCHING LABELS. EACH 100W DRIVER CAN POWER 1 ROW OF LEDS (ONE HALF OF A MODULE) AND EACH 600W DRIVER CAN CONTROL 6 ROWS OF LEDS (3 MODULES)

EACH MODULE COMES WITH A TOP MOUNTED TERMINAL BLOCK ENCLOSURE (COVER NOT SHOWN) FOR LOW VOLTAGE FIELD CONNECTIONS. QUICK CONNECT FITTING IS SEALED THROUGH PLENUM AND ALL INTERNAL WIRING IS COMPLETED IN THE FACTORY. EACH ROW OF LEDS REQUIRES ONE (+&-) LOW VOLTAGE FIELD CONNECTIONS (TWO PER MODULE)



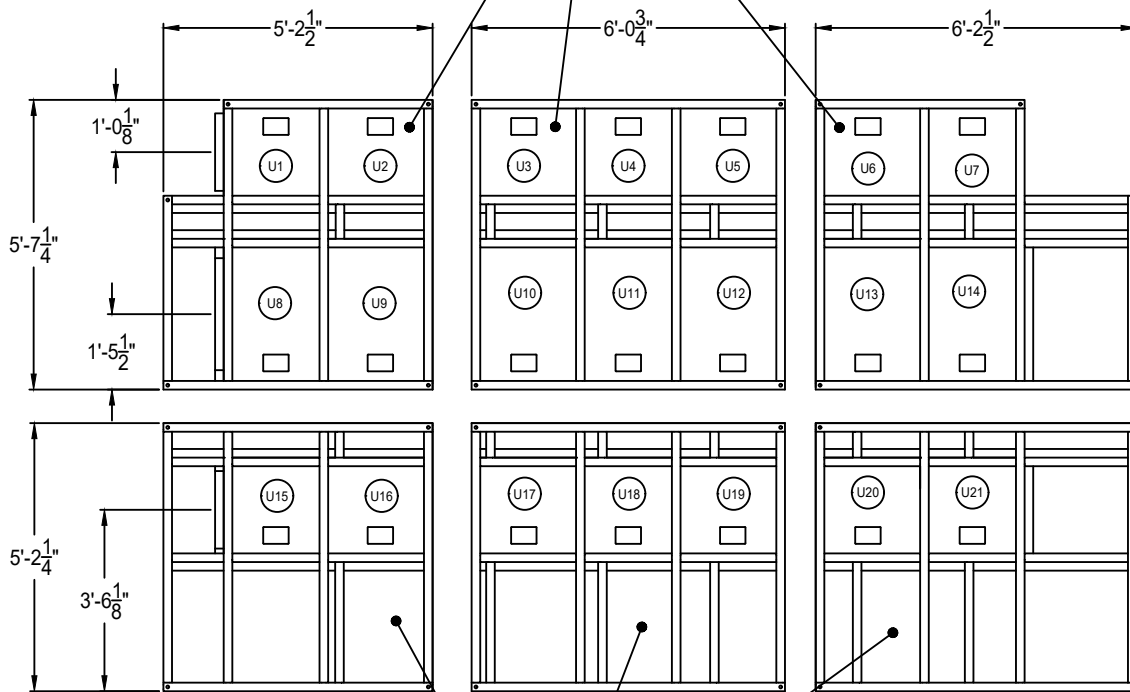
Project:		
271597	Revision: A	08-01-2023

• INSTALLATION WORK AND ELECTRICAL WIRING MUST BE COMPLETED BY A CERTIFIED ELECTRICIAN AND/OR QUALIFIED PERSON(S) IN ACCORDANCE WITH APPLICABLE ELECTRICAL CODES AND STANDARDS

ULTRASUITE® + STRUCTURE

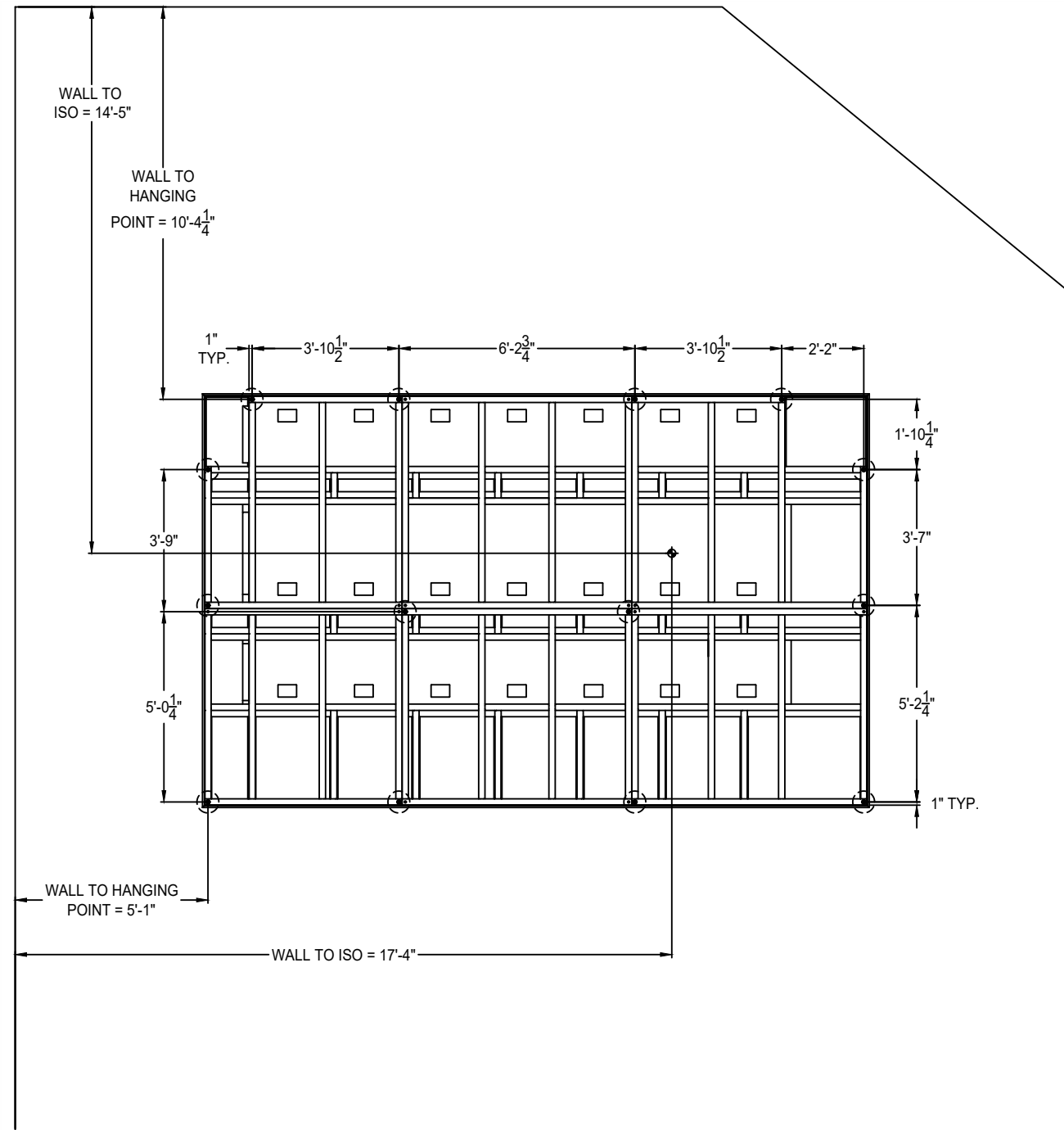
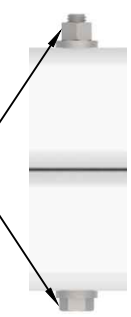
OPERATING ROOM DIFFUSER SYSTEM WITH INTEGRATED LED LIGHTING AND STEEL STRUCTURAL SUPPORT ULTRASUITE SHIP SECTIONS & STRUCTURAL MOUNTING LOCATIONS - HYBRID OR/IMAGING SUITE

ULTRASUITE +STRUCTURE SYSTEM SHIPS IN 6 SECTIONS TO BE FASTENED TOGETHER IN THE FIELD BY OTHERS WITH HARDWARE PROVIDED BY PRICE

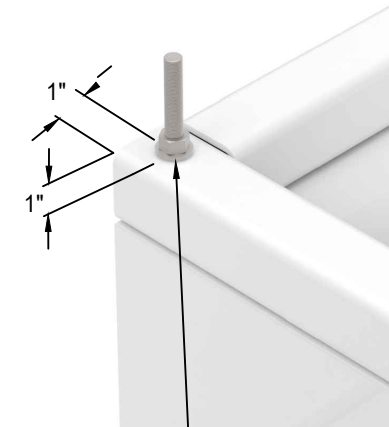


ULTRASUITE +STRUCTURE SYSTEM SHIPS IN 6 SECTIONS TO BE FASTENED TOGETHER IN THE FIELD BY OTHERS WITH HARDWARE PROVIDED BY PRICE

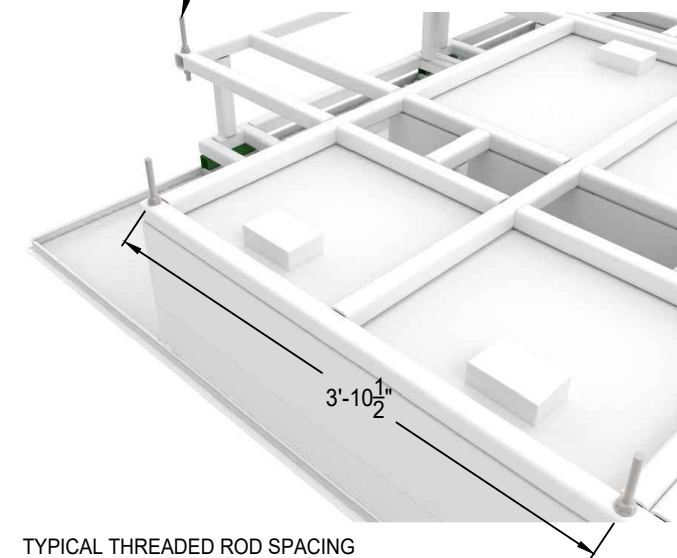
STRUCTURAL STEEL SECTIONS FASTENED TOGETHER IN FIELD WITH $\frac{1}{2}$ " HARDWARE PROVIDED BY PRICE



TYPICAL THREADED ROD MOUNTING POINT DETAILS



PRE-DETERMINED HANGING LOCATIONS FOR $\frac{5}{8}$ " THREADED ROD, TYP., (x 14)
 $\frac{5}{8}$ " THREADED ROD PROVIDED AND INSTALLED BY OTHERS



TYPICAL THREADED ROD SPACING



Project:

271597

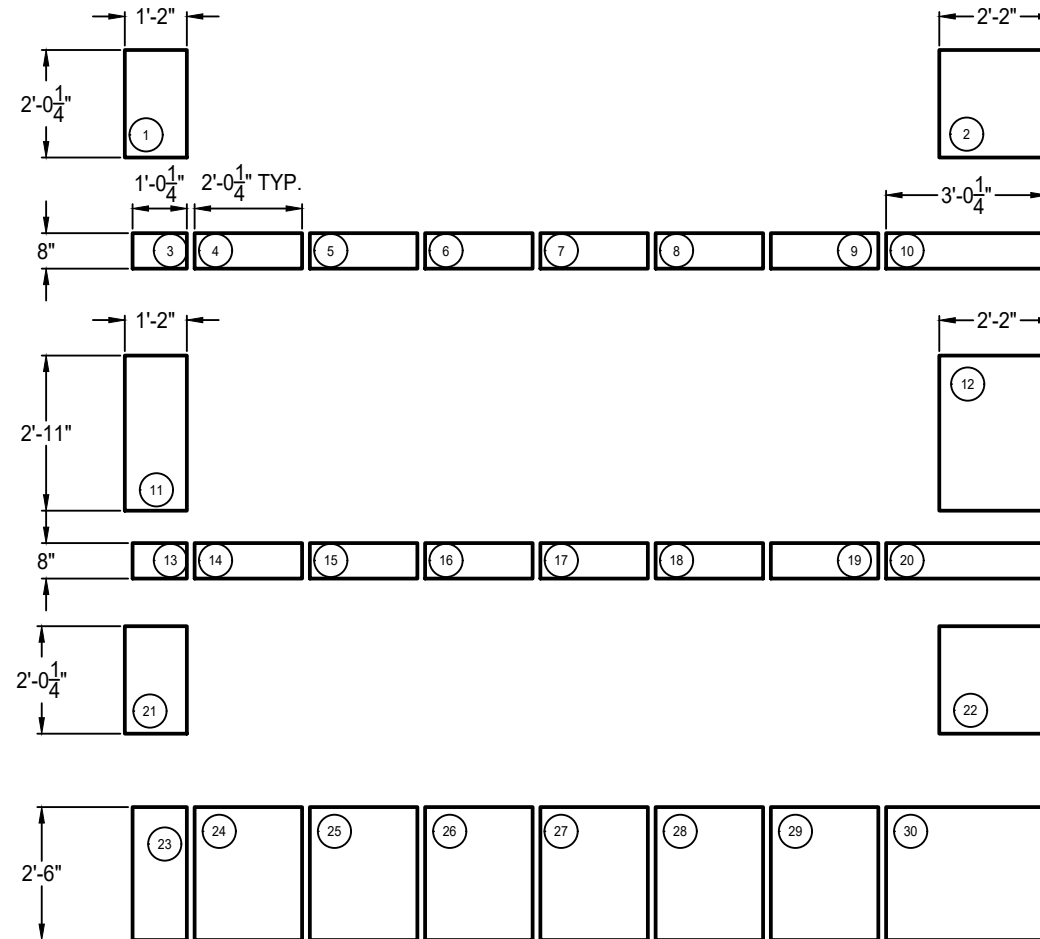
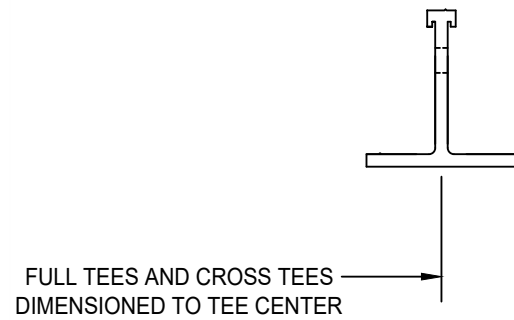
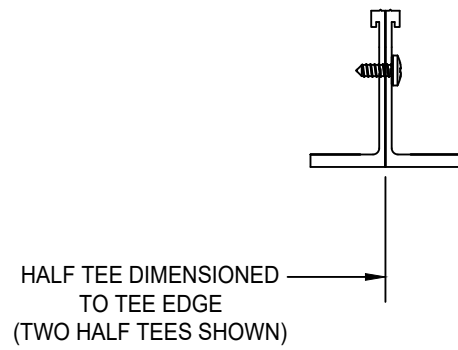
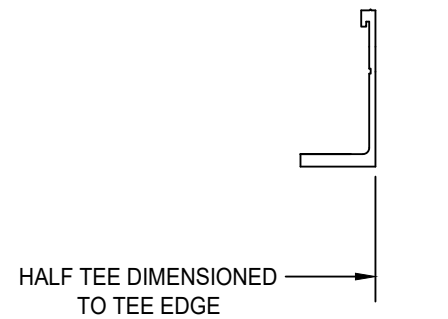
Revision: A

08-01-2023

• PRE-DETERMINED MOUNTING LOCATIONS FOR $\frac{5}{8}$ " THREADED ROD SHOWN
• STAMPED STRUCTURAL CALCULATIONS PROVIDED BY PRICE AT TIME OF ORDER

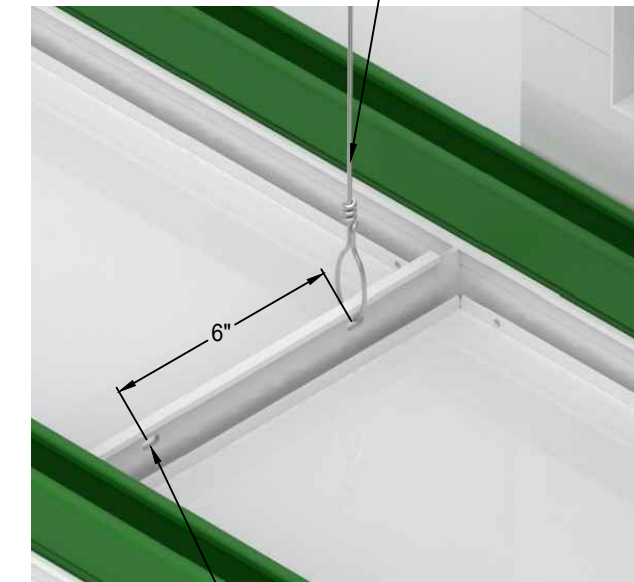
ULTRASUITE® + STRUCTURE

OPERATING ROOM DIFFUSER SYSTEM WITH INTEGRATED LED LIGHTING AND STEEL STRUCTURAL SUPPORT HGWC SHIP SECTION BREAKDOWN & HANGING DETAILS - HYBRID OR/IMAGING SUITE

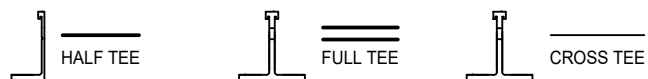


HGWC SECTIONS TO BE HUNG WITH PRE-STRESSED 12 GA. HANGER WIRE TO SLAB OR STRUCTURAL STEEL ABOVE THE CEILING ACCORDING TO ASTM C636, OR LOCAL BUILDING CODES (AS APPLICABLE)

TYPICAL HANGER WIRE LOCATION



EACH HGWC FULL TEE & CROSS TEE COME WITH PRE-PUNCHED SLOTS EVERY 6" PRICE RECOMMENDS HANGING SYSTEM EVERY ~4' AS REQUIRED



- THE HGWC GRID IS SUPPLIED IN MULTIPLE FACTORY ASSEMBLED SECTIONS NO LARGER THAN 10'x4'
- THE CEILING IS FACTORY PRE-MANUFACTURED TO SIZES AND TOLERANCE $\pm \frac{1}{16}$ "

PRICE | **CRITICAL ENVIRONMENTS**

Project:

271597

Revision: A

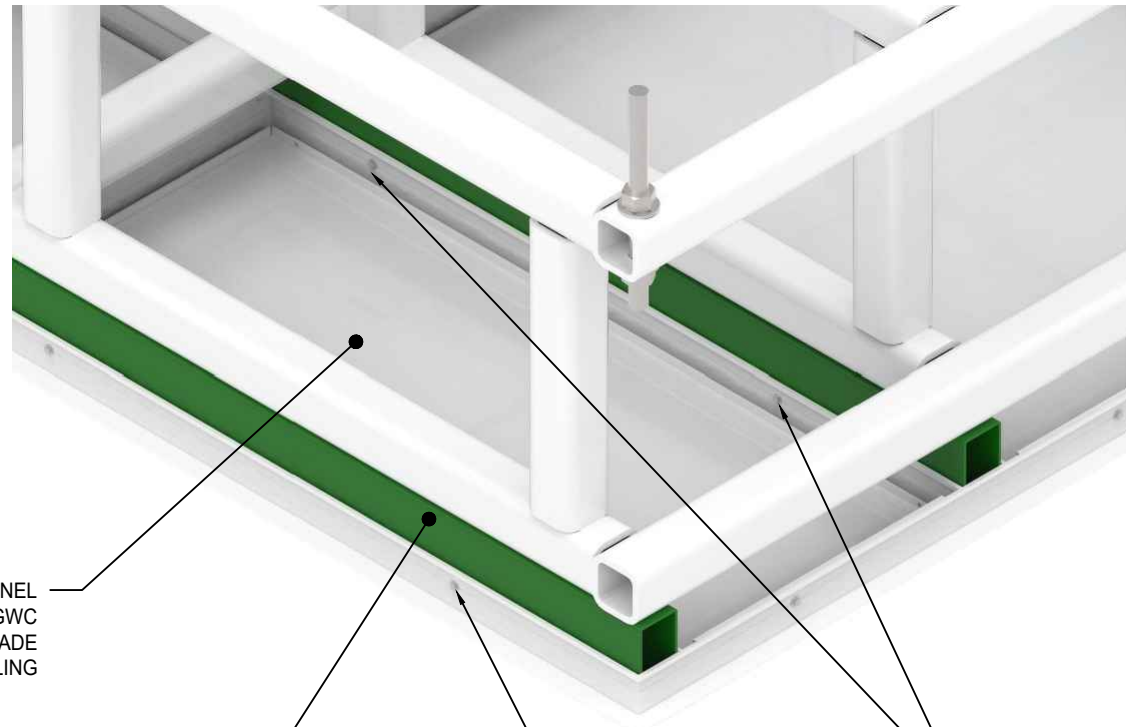
08-01-2023

ULTRASUITE® + STRUCTURE

OPERATING ROOM DIFFUSER SYSTEM WITH INTEGRATED LED LIGHTING AND STEEL STRUCTURAL SUPPORT

CEILING LEVEL SUPPORT STRUT INTEGRATION DETAIL

CEILING LEVEL SUPPORT STRUT LAYOUT - HYBRID OR/IMAGING SUITE



CP CEILING PANEL
INSTALLED INTO HGWC
HOSPITAL GRADE
WELDED CEILING

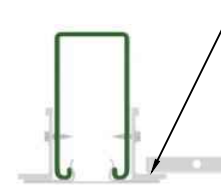
CEILING LEVEL SUPPORT STRUT
PROVIDED AND INSTALLED BY PRICE

FASTENING OF HGWC TEE TO SUPPORT
STRUT BY PRICE

FASTENING OF LOOSE HALF TEE
TO SYSTEM BY OTHERS



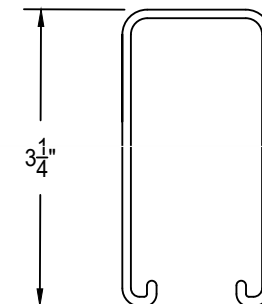
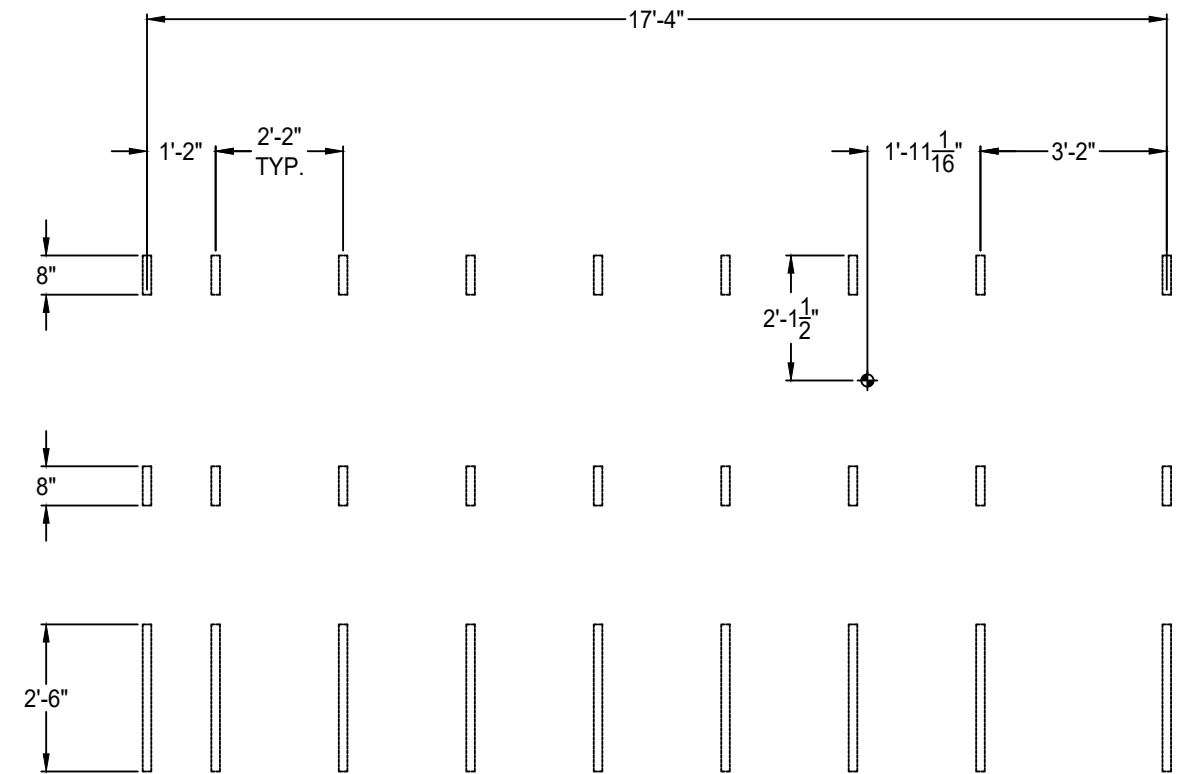
PRICE SUPPLIED ALUMINUM
CLOSURE STRIP SNAPS INTO
BOTTOM OF SUPPORT STRUT
TO FINISH CEILING



PRICE SUPPLIED GASKET
TO BE INSTALLED IN FIELD
BY OTHERS

FIELD SUPPLIED AND INSTALLED
FASTENERS MUST NOT PROTRUDE INTO
THE SUPPORT STRUT AT ANY POINT
WHICH WOULD INTERFERE WITH
POSITIONING OF THE FIXING BLOCK
(REF. VENDOR EQUIPMENT DRAWINGS)

HGWC CENTER TO CENTER = SUPPORT STRUT CENTER TO CENTER - 1 3/4"



CEILING LEVEL SUPPORT STRUT = 35 ft.

CEILING LEVEL SUPPORT STRUT HEIGHT,
GC/AHJ TO COORDINATE, AND ADVISE
PRICE OF ANY DISCREPANCIES OR
DEVIATIONS

price | **CRITICAL ENVIRONMENTS**

Project:

271597

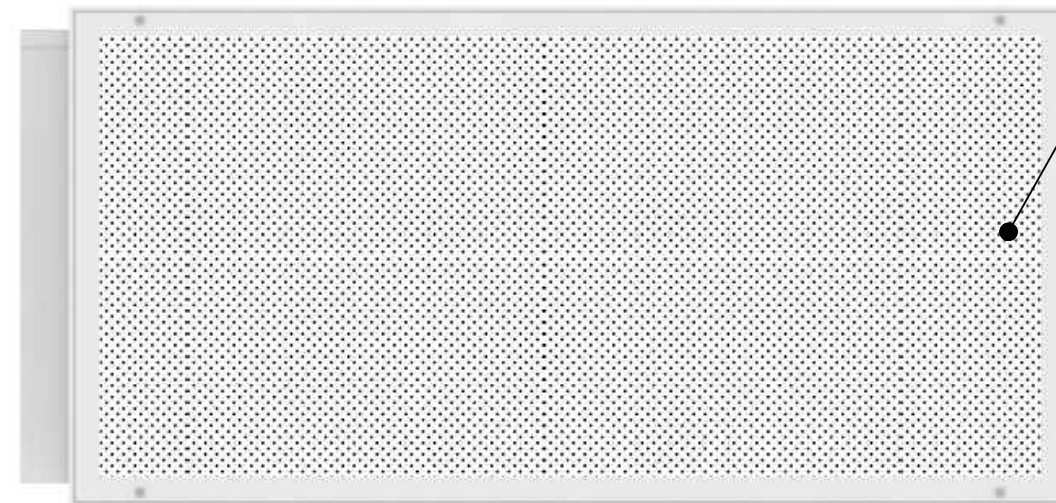
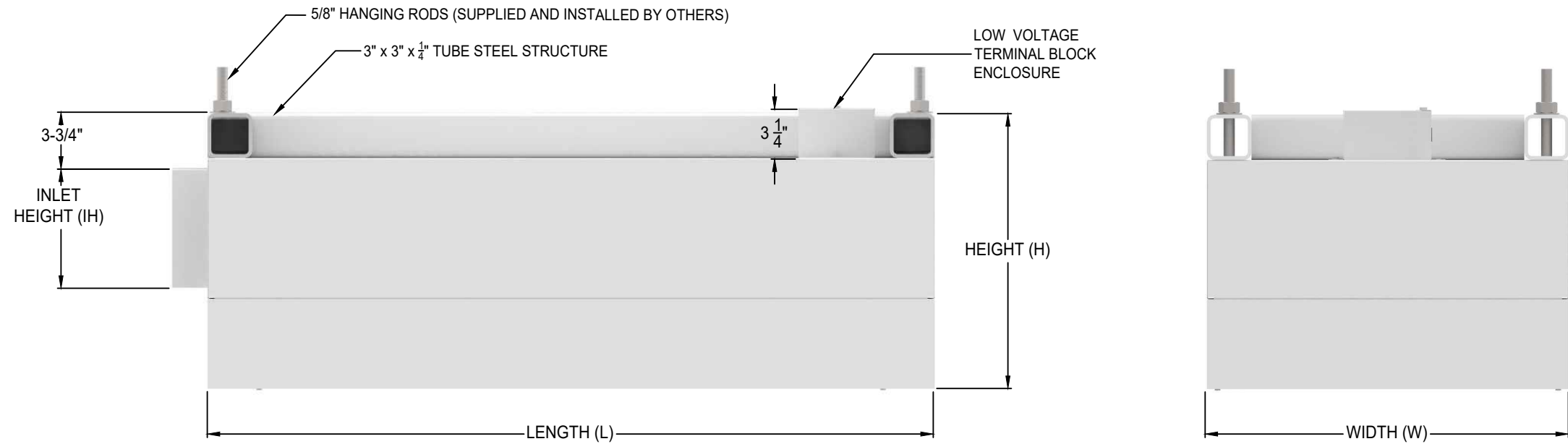
Revision: A

08-01-2023

- P5000 UNISTRUT PROVIDED AND PAINTED B12 WHITE BY PRICE
- MEDICAL EQUIPMENT RAILS PROVIDED AND INSTALLED BY OTHERS
- CEILING SYSTEM w/ INTEGRATED UNISTRUT SUPPORT GRID TO BE DESIGNED BY PRICE AND INSTALLED BY OTHERS

ULTRASUITE® + STRUCTURE

OPERATING ROOM DIFFUSER SYSTEM WITH INTEGRATED LED LIGHTING AND STEEL STRUCTURAL SUPPORT



TRANSLUCENT
POLYMER PERFORATED
DIFFUSER FACE
13% FREE AREA

STANDARD CONSTRUCTION

- 14 GA (.064" THICK) ALUMINUM PLENUM
- EXTRUDED ALUMINUM OUTER FRAME AND DIFFUSER FACE FRAME
- 3" x 3" x 1/4" HSS STRUCTURE
- ROOM-SIDE ADJUSTABLE APERTURE PLATE DAMPER
- TWO STAINLESS STEEL RETAINER CABLES PER DIFFUSER FACE
- DIFFUSER FACE SECURED WITH 1/4 TURN FASTENERS

LED LIGHTING SPECIFICATIONS

- LED LIGHTING INTEGRATED INTO EACH DIFFUSER MODULE
- IP67 RATED LED STRIP WITH QUICK CONNECTORS
- COLOR RENDERING INDEX (CRI) 95
- L80>60,000 HRS
- FOR IES PHOTOMETRIC FILES VISIT:
www.priceindustries.com/criticalenvironments/products/ultrasuite

FINISH

- B12 WHITE
- OPTIONAL AMB12 ANTI-MICROBIAL WHITE

LED COLOR TEMPERATURE

- 5000K (W935)
- OPTIONAL 4000K (W930)

LISTINGS

- **UL 1598/CSA C22.2 #250.0** - AIR-HANDLING LUMINAIRES
- **UL 2043** - FIRE TEST FOR HEAT AND VISIBLE SMOKE RELEASE FOR DISCRETE PRODUCTS AND THEIR ACCESSORIES INSTALLED IN AIR-HANDLING SPACES
- **UL 2108/CSA 22.2#250.0** - LOW VOLTAGE LIGHTING SYSTEM
- **UL 8750/CSA-C22.2 #250.13** - LIGHT EMITTING DIODE (LED) EQUIPMENT FOR USE IN LIGHTING PRODUCTS
- **UL 1310/CSA C22.2 #223-M91** - CLASS 2 POWER UNITS
- **UL 94** - FLAMMABILITY OF PLASTIC MATERIALS FOR PARTS IN DEVICES AND APPLIANCES
- **IP 67** - RATED INGRESS PROTECTION AGAINST DUST AND LIQUIDS
- **MIL-STD-461** - ELECTROMAGNETIC COMPATIBILITY

STANDARD MODULE SIZING CHART					
NOMINAL (W)	NOMINAL (L)	ACTUAL (W)	ACTUAL (L)	HEIGHT (H)	
				MIN	MAX
24.000	24.000	24.250	24.250	13	23
24.000	35.000	24.250	35.000	13	23

- STANDARD HEIGHT (H) = 18"
- MINIMUM HEIGHT WITH HEPA FILTER = 15"
- MINIMUM WIDTH WITH HEPA FILTER = 12"
- MAX INLET HEIGHT (IH) = HEIGHT (H) - 10"
- MAX INLET HEIGHT (IH) WITH HEPA = HEIGHT (H) - 11"

PRICE CEILING SYSTEM WEIGHTS		
PRICE SUPPLIED COMPONENTS	TOTAL SQUARE FEET =265 SQ.FT.	3649 lbs.
STRUCTURE	182 SQ.FT.	2860 lbs.
USA	98 SQ.FT.	686 lbs.
HGWC	91 SQ.FT.	46 lbs.
PANELS	76 SQ.FT.	57 lbs.

price | **CRITICAL ENVIRONMENTS**

Project:

271597

Revision: A

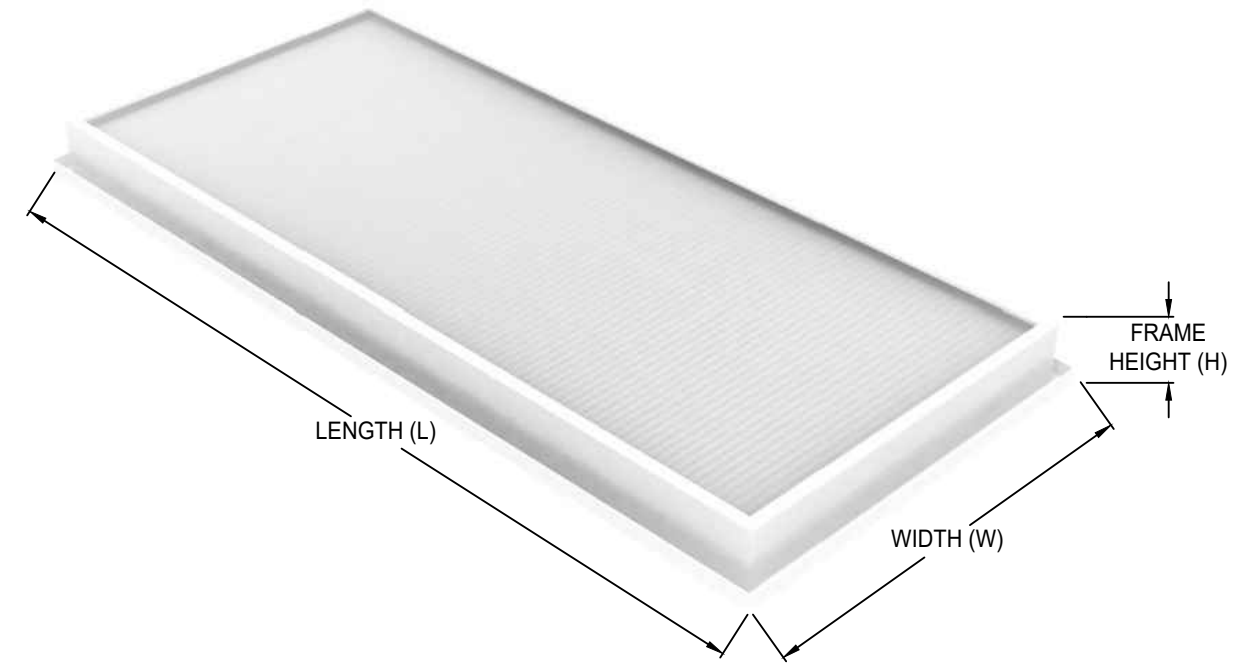
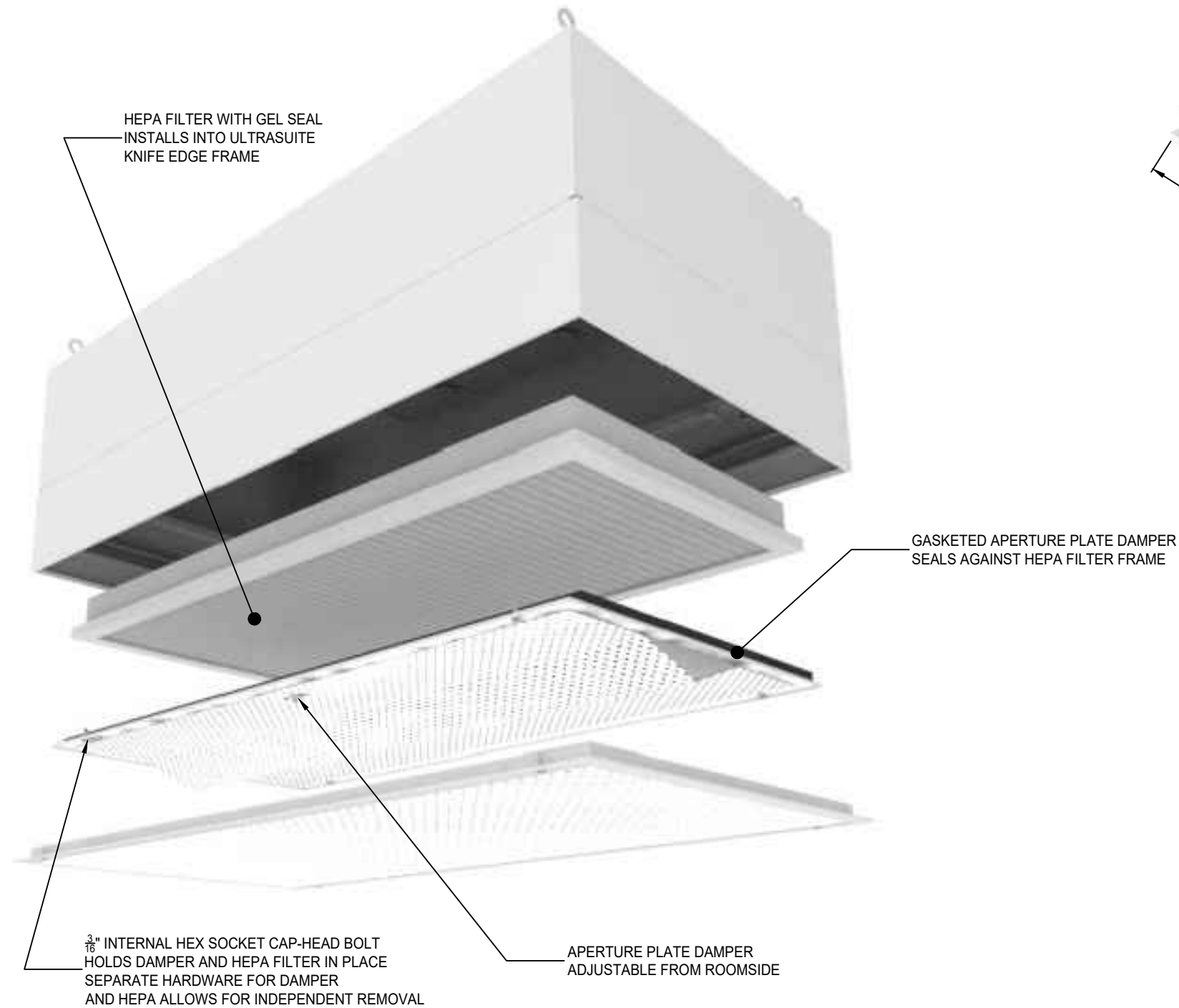
08-01-2023

ULTRASUITE® + STRUCTURE

OPERATING ROOM DIFFUSER SYSTEM WITH INTEGRATED LED LIGHTING

FACE ACCESS APERTURE PLATE DAMPER DETAILS

○ OPTIONAL ROOMSIDE HEPA FILTRATION



STANDARD FILTER SIZING CHART				
REPLACEMENT PART #	NOMINAL (W)	NOMINAL (L)	ACTUAL (W)	ACTUAL (L)
042299-029	24	24	19.88	19.88
SPECIAL	24	35	19.88	30.63

- NOTES:**
- FILTER PLEATS RUN PARALLEL TO THE WIDTH (W) DIMENSION
 - DIMENSIONS W & L TOLERANCES $\pm \frac{1}{16}$ "
 - FILTERS COME WITH GEL SEAL FILLED CHANNEL
 - FILTERS MUST BE ORDERED SEPARATELY UNDER THE FTR-1-X LINESTRING
- FRAME DETAILS:**
- MATERIAL: ANODIZED EXTRUDED ALUMINUM
 - THICKNESS: $\frac{1}{16}$ " (MINIMUM)
 - FILTERS ARE UL 900 CLASS 1 CERTIFIED
 - EFFICIENCY AND LEAK SCAN TESTED
 - HEPA EFFICIENCY: 99.99% (.3 MICRON)
 - MINIMUM MODULE WIDTH FOR ROOMSIDE HEPA FILTRATION IS 12"

price CRITICAL ENVIRONMENTS		
Project:		
271597	Revision: A	08-01-2023

VISIT PRICE INDUSTRIES WEBSITE FOR FILTER QUICK START GUIDE
<https://www.priceindustries.com/content/uploads/assets/literature/manuals/section%20e/ft-room-side-replaceable-filter-rsr-quick-start-guide.pdf>
 NOTE:
 UL 1598 DOES NOT HAVE PROVISIONS FOR HEPA FILTERS MOUNTED WITHIN FIXTURE. USA COMPLIES WITH UL 1598 WITH HEPA FILTERS ORDERED SEPERATELY ON FTR-1-X LINESTRING.

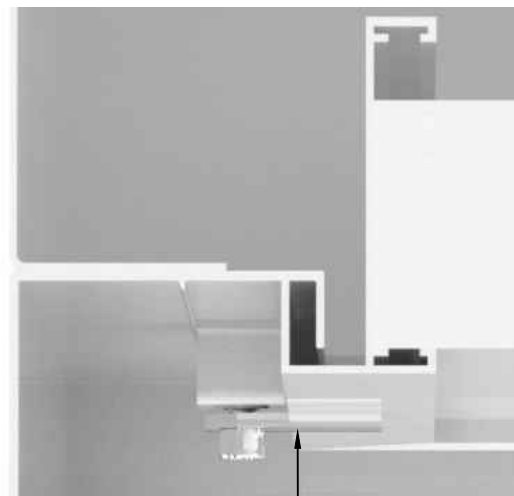
ULTRASUITE® + STRUCTURE

OPERATING ROOM DIFFUSER SYSTEM WITH INTEGRATED LED LIGHTING

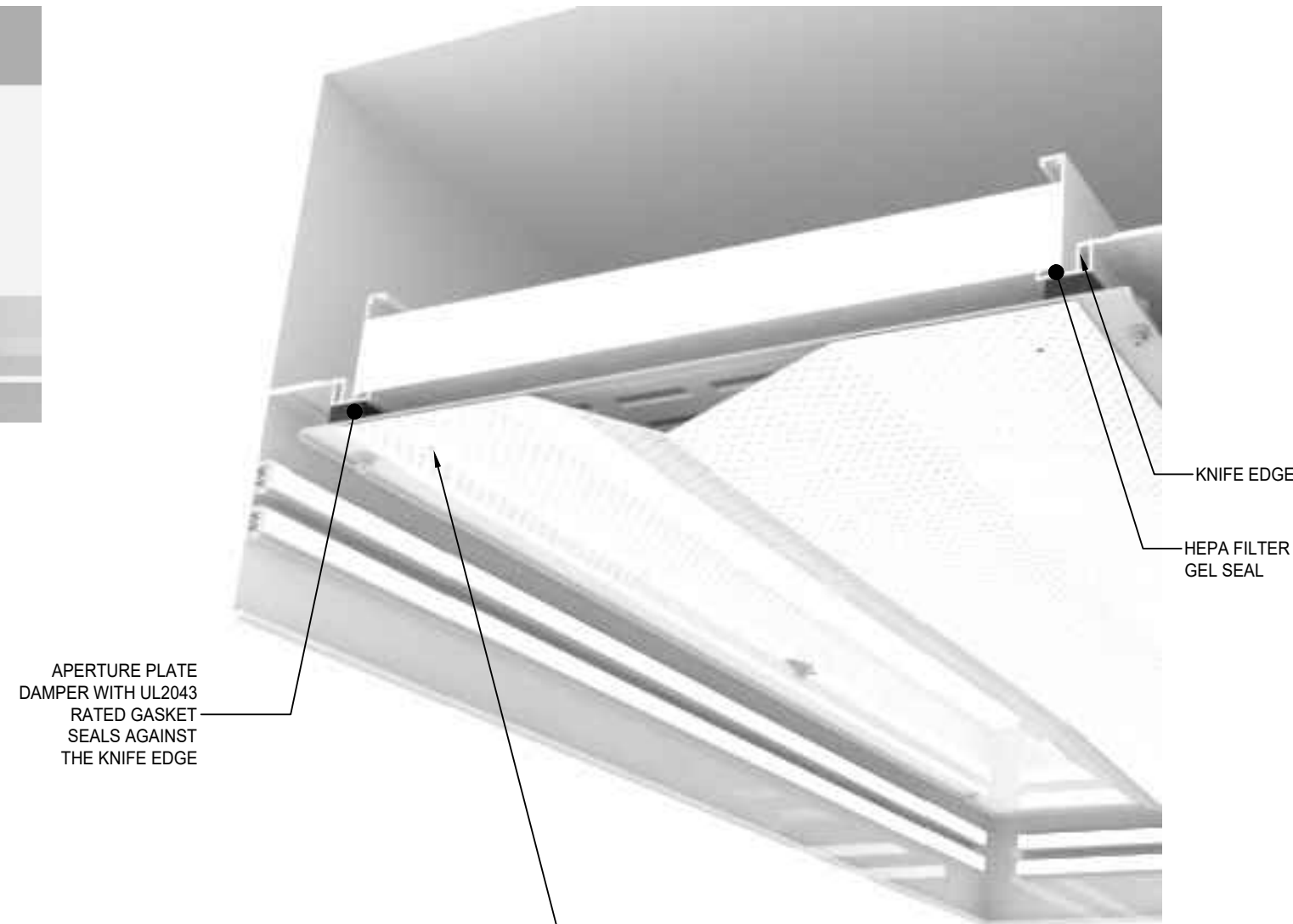
FACE ACCESS APERTURE PLATE DAMPER DETAILS

- OPTIONAL ROOMSIDE HEPA FILTRATION

FILTER HOLD DOWN TAB DETAIL



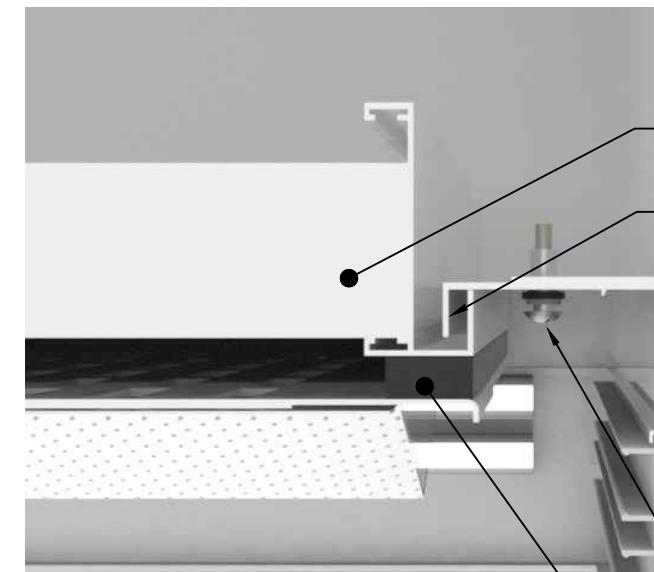
OPTIONAL
FILTER HOLD
DOWN TAB



APERTURE PLATE
DAMPER WITH UL2043
RATED GASKET
SEALS AGAINST
THE KNIFE EDGE

DAMPER SECURED
IN PLACE WITH SCREWS
INSTALL BY USING $\frac{3}{16}$ " ALLEN KEY

STATIC PRESSURE PORT DETAIL



OPTIONAL
HEPA FILTER

KNIFE EDGE

STATIC
PRESSURE
PORT

APERTURE PLATE
DAMPER WITH UL2043
RATED GASKET
SEALS AGAINST
THE HEPA FRAME

price | **CRITICAL ENVIRONMENTS**

Project:

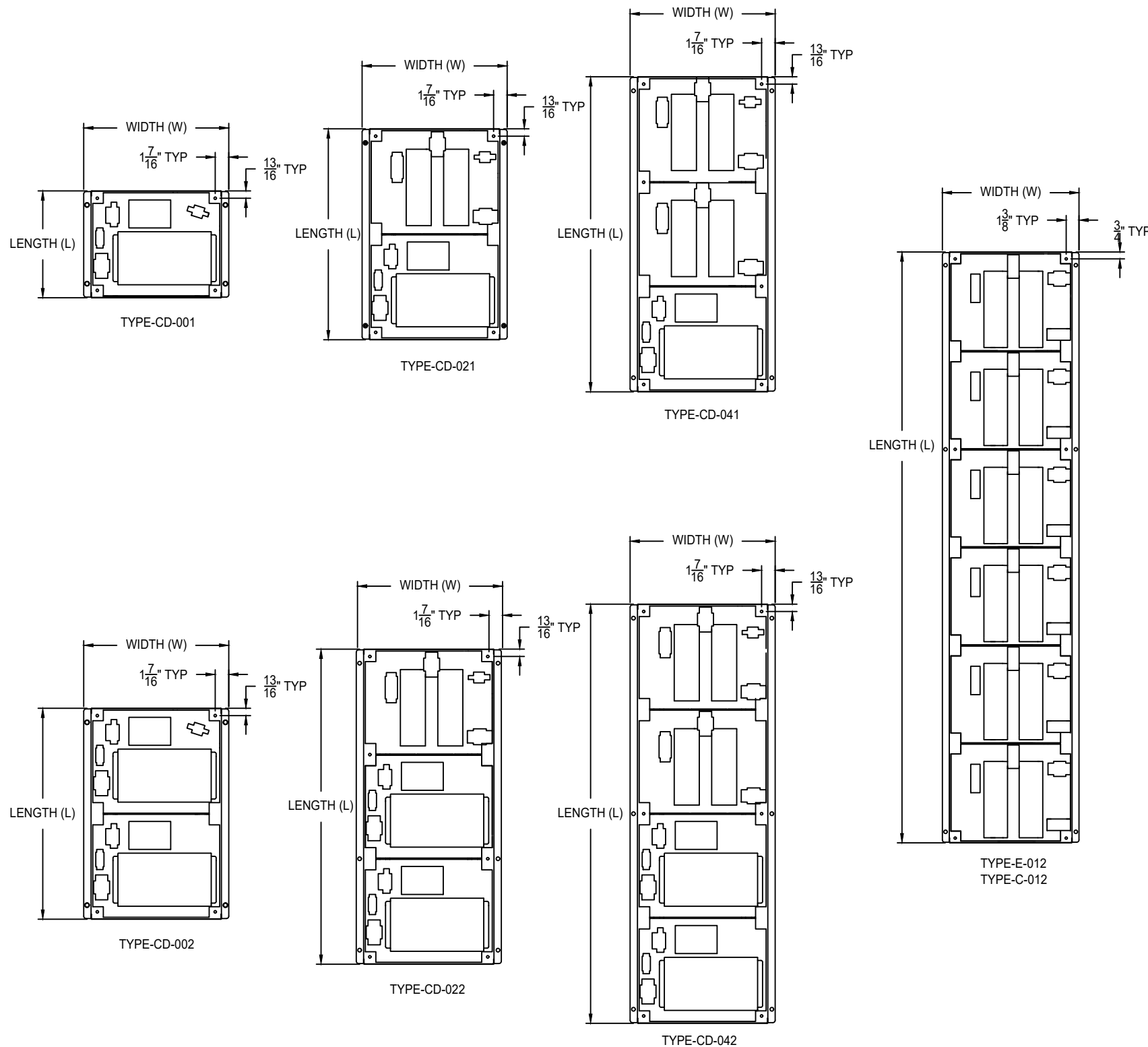
271597

Revision: A

08-01-2023

ULTRASUITE® + STRUCTURE

OPERATING ROOM DIFFUSER SYSTEM WITH INTEGRATED LED LIGHTING URDC ULTRA REMOTE DRIVER CABINETS - STANDARD OFFERINGS



- ALL DRIVER CABINETS ARE ORDERED ON URDC-1-X LINESTRING.
- REMOTE DRIVER CABINETS REQUIRE SINGLE POINT HIGH VOLTAGE (120-277V~) CONNECTION (277V~ RECOMMENDED).
- ALL DIMMING SWITCHES ARE ORDERED ON UCA-1-X LINESTRING.
- 0-10V DIMMING SWITCH SHIPPED LOOSE. THE TOTAL LENGTH FOR 0-10V CONTROL SIGNAL WIRING FOR THIS CONTROL SHOULD NOT EXCEED 500'. DO NOT USE WIRE SMALLER THAN 20 AWG.
- 8A AND 16A 0-10V DIMMING SWITCHES AVAILABLE. DIMMING ZONES AND CONTROL ARE COMPLETELY CUSTOMIZABLE.
- 0-10V DIMMING SIGNAL FROM SWITCH CAN CONTROL UP TO 100 DRIVERS.
- LED DRIVER TYPE E OFFERS CONTINUOUS, FLICKER-FREE DIMMING FROM 100% TO 1% WITH 0-10 VOLTAGE DIMMER SHIPPED LOOSE OR DIMMING SIGNAL PROVIDED BY OTHERS.
- LED DRIVER TYPE C AND CD OFFERS CONTINUOUS, FLICKER-FREE DIMMING FROM 100% TO 10% WITH 0-10 VOLTAGE DIMMER SHIPPED LOOSE. OPTIONAL SOLID STATE RELAY WITH 4-32VDC RELAY SHUT OFF SIGNAL AND 0-10VDC DIMMING SIGNAL PROVIDED BY OTHERS
- 30A DISCONNECT SWITCH AVAILABLE TO PROVIDE FULL SYSTEM SHUTOFF WHEN UTILIZING 0-10V SIGNAL
- LED DRIVERS SHIP FACTORY WIRED AND INSTALLED IN REMOTE DRIVER CABINETS.
- URDC DRIVER CABINETS CAN BE WALL MOUNTED, TYPICALLY IN AN ADJACENT EQUIPMENT ROOM, OR INSTALLED ABOVE THE CEILING. DRIVER CABINETS CANNOT BE RECESSED BETWEEN WALL STUDS AS THEY REQUIRE VENTILATION.
- ULTRASUITE MODULES COME WITH FACTORY WIRED AND INSTALLED TOP MOUNTED LOW VOLTAGE TERMINAL BLOCK ENCLOSURE
- INCOMING HIGH VOLTAGE POWER AND LOW VOLTAGE CONNECTION BETWEEN ULTRASUITE MODULES AND REMOTE DRIVER CABINET ARE THE RESPONSIBILITY OF THE INSTALLER.
- MAX DISTANCE BETWEEN ULTRASUITE MODULE AND REMOTE DRIVER CABINET IS DEPENDANT ON WIRE GAUGE TO MINIMIZE VOLTAGE DROP. SEE TABLE BELOW.
- SEE ULTRASUITE INSTALLATION MANUAL AVAILABLE AT <https://www.priceindustries.com/criticalenvironments/products/ultrasuite> FOR RECOMMENDED REMOTE DRIVER CABINET AND ULTRASUITE SYSTEM INSTALLATION.

DRIVER CABINET	# OF MODULES	# OF DRIVERS	L	W	H	WEIGHT	AC CURRENT - TYPE E (120VAC / 277VAC)	AC CURRENT - TYPE C (120VAC / 277VAC)
TYPE E/C-001	1	1	0'-11 1/2"	1' - 3 1/2"	5"	7 lbs.	0.95A / 0.4A	1.2A / 0.50A
TYPE E/C-002		2	0'-11 1/2"	1' - 3 1/2"	5"	15 lbs.	1.9A / 0.8A	2.4A / 1.7A
TYPE E/C-003	2	3	1' - 10 9/16"	1' - 3 1/2"	5"	22 lbs.	2.95A / 1.2A	3.6A / 2.9A
TYPE E/C-004		4	1' - 10 9/16"	1' - 3 1/2"	5"	30 lbs.	3.8A / 1.6A	4.8A / 4.1A
TYPE E/C-005	3	5	2' - 9 11/16"	1' - 3 1/2"	5"	37 lbs.	4.75A / 2A	6.0A / 5.3A
TYPE E/C-006		6	2' - 9 11/16"	1' - 3 1/2"	5"	45 lbs.	5.7A / 2.4A	7.2A / 6.5A
TYPE E/C-007	4	7	3' - 8 13/16"	1' - 3 1/2"	5"	52 lbs.	6.65A / 2.8A	8.4A / 7.7A
TYPE E/C-008		8	3' - 8 13/16"	1' - 3 1/2"	5"	60 lbs.	7.6A / 3.2A	9.6A / 8.9A
TYPE E/C-009	5	9	4' - 7 15/16"	1' - 3 1/2"	5"	67 lbs.	8.55A / 3.6A	10.8A / 10.1A
TYPE E/C-010		10	4' - 7 15/16"	1' - 3 1/2"	5"	75 lbs.	9.5A / 4A	12.0A / 11.3A
TYPE E/C-011	6	11	5' - 7 1/16"	1' - 3 1/2"	5"	82 lbs.	10.45A / 4.4A	13.2A / 12.5A
TYPE E/C-012		12	5' - 7 1/16"	1' - 3 1/2"	5"	90 lbs.	11.4A / 4.8A	14.4A / 13.7A

DRIVER CABINET	# OF MODULES	# OF DRIVERS	L	W	H	WEIGHT	AC CURRENT - TYPE E (120VAC / 277VAC)
TYPE-CD-001	3	1	0'-11 1/2"	1' - 3 1/2"	5"	20 lbs.	7A / 2.9A
TYPE-CD-021	4	3	1' - 10 9/16"	1' - 3 1/2"	5"	35 lbs.	9.4A / 3.9A
TYPE-CD-041	5	5	2' - 9 11/16"	1' - 3 1/2"	5"	50 lbs.	11.8A / 4.9A
TYPE-CD-002	6	2	1' - 10 9/16"	1' - 3 1/2"	5"	40 lbs.	14.0A / 5.8A
TYPE-CD-022	7	4	2' - 9 11/16"	1' - 3 1/2"	5"	55 lbs.	- / 6.8A
TYPE-CD-042	8	6	3' - 8 13/16"	1' - 3 1/2"	5"	70 lbs.	- / 7.8A

LOW VOLTAGE WIRE LENGTHS	
WIRE GAUGE (awg)	LENGTH OF WIRE
18	15
16	25
14	45
12	70
10	115

- TYPE C & CD OFFERS 100 TO 10% DIMMING
- TYPE E OFFERS 100 TO 1% DIMMING
- TYPE CD OFFERS OVER 40% SPACE SAVING FOR CABINET INSTALLATION
- TYPE C ALLOWS FOR RECESSED TYPE IC INSTALLATION
- TYPE E & CD ALLOWS FOR SURFACE, WALL OR CEILING MOUNT INSTALLATION. PASSIVE VENTILATION OF CABINET IS REQUIRED THROUGH OUTER BOX LOUVERS

PRICE | **CRITICAL ENVIRONMENTS**

Project:

271597

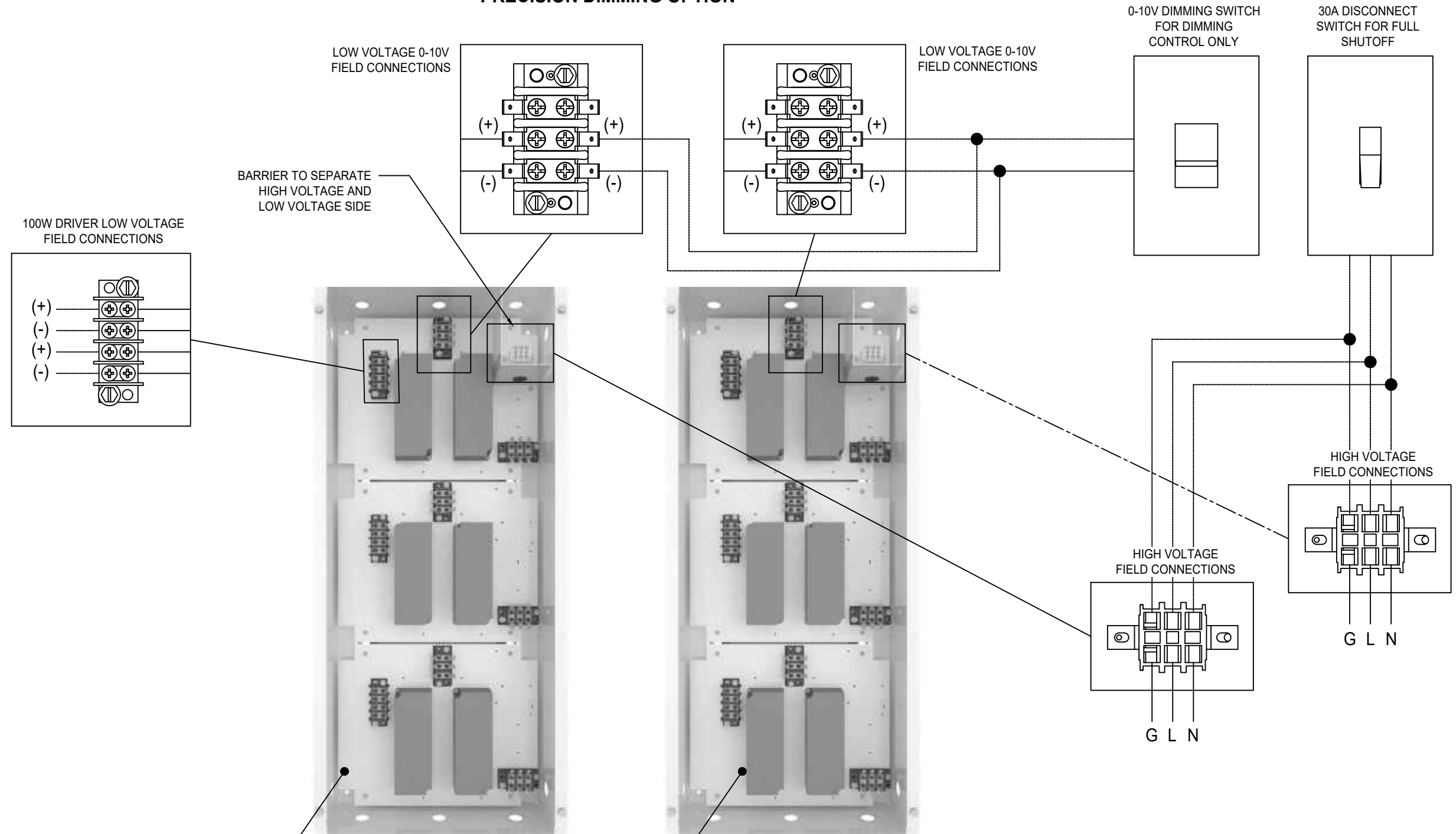
Revision: A

08-01-2023

ULTRASUITE® + STRUCTURE

OPERATING ROOM DIFFUSER SYSTEM WITH INTEGRATED LED LIGHTING

- URDC ULTRA REMOTE DRIVER CABINETS - WIRING FOR SINGLE DIMMING ZONE (100 TO 1% DIMMING) PRECISION DIMMING OPTION



URDC-1-X REMOTE DRIVER CABINET TYPE CD SHOWN

URDC-1-X REMOTE DRIVER CABINET TYPE CD SHOWN

ALL INTERNAL REMOTE DRIVER CABINET WIRING IS DONE IN THE FACTORY

ALL INTERNAL REMOTE DRIVER CABINET WIRING IS DONE IN THE FACTORY

- PRE-WIRED FACTORY CONNECTION
- FIELD CONNECTION
- G GROUND
- N NEUTRAL
- L LINE CONNECTION



Project:

271597

Revision: A

08-01-2023

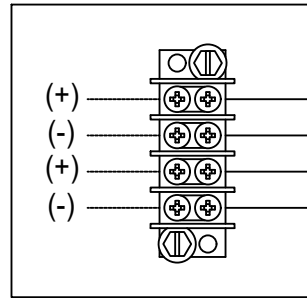
• VISUAL WIRING DETAIL IS SHOWN FOR REFERENCE ONLY, REFERENCE INSTALLATION MANUAL FOR WIRING DIAGRAMS
 • INSTALLATION WORK AND ELECTRICAL WIRING MUST BE COMPLETED BY A CERTIFIED ELECTRICIAN AND/OR QUALIFIED PERSON(S) IN ACCORDANCE WITH APPLICABLE ELECTRICAL CODES AND STANDARDS

ULTRASUITE® + STRUCTURE

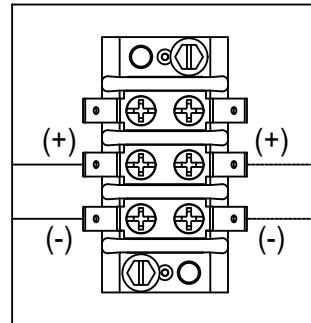
OPERATING ROOM DIFFUSER SYSTEM WITH INTEGRATED LED LIGHTING

- URDC ULTRA REMOTE DRIVER CABINETS - OPTIONAL WIRING FOR INGLE DIMMING ZONE (100 TO 10% DIMMING)
COMPACT / SPACE SAVINGS OPTION

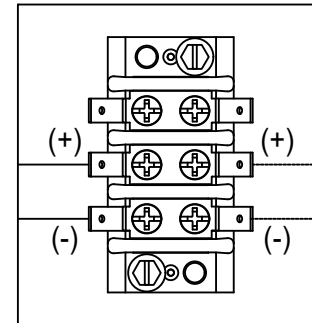
100W DRIVER LOW VOLTAGE FIELD CONNECTIONS



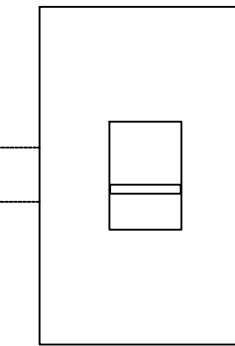
LOW VOLTAGE 0-10V FIELD CONNECTIONS



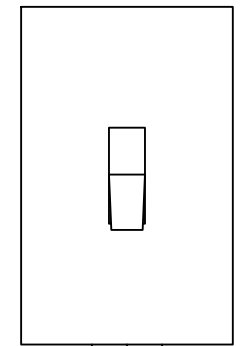
LOW VOLTAGE 0-10V FIELD CONNECTIONS



0-10V DIMMING SWITCH FOR DIMMING CONTROL ONLY

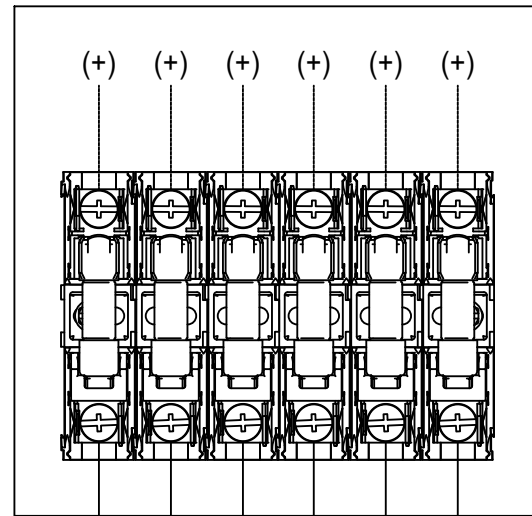


30A DISCONNECT SWITCH FOR FULL SHUTOFF



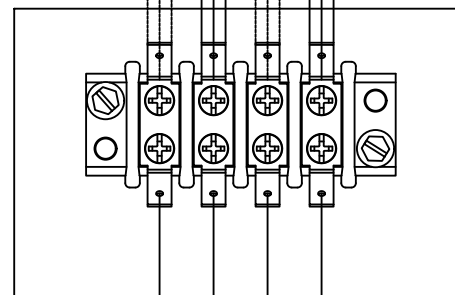
BARRIER TO SEPARATE HIGH VOLTAGE AND LOW VOLTAGE SIDE

600W DRIVER POSITIVE LOW VOLTAGE FIELD CONNECTIONS



600W DRIVER NEGATIVE LOW VOLTAGE FIELD CONNECTIONS

(-) (-) (-) (-) (-) (-)

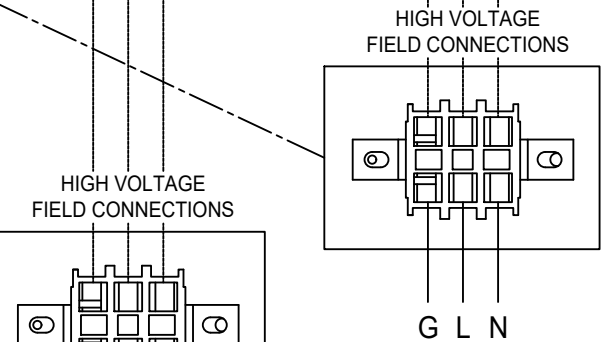


ALL INTERNAL REMOTE DRIVER CABINET WIRING IS DONE IN THE FACTORY

ALL INTERNAL REMOTE DRIVER CABINET WIRING IS DONE IN THE FACTORY

URDC-1-X REMOTE DRIVER CABINET TYPE CD SHOWN

URDC-1-X REMOTE DRIVER CABINET TYPE CD SHOWN



HIGH VOLTAGE FIELD CONNECTIONS

G L N

CLASS CC FAST ACTING 4A FUSE BLOCK LIMITS CURRENT TO MAINTAIN CLASS 2 SIGNAL TO LUMINAIRE

- PRE-WIRED FACTORY CONNECTION
- FIELD CONNECTION
- G GROUND
- N NEUTRAL
- L LINE CONNECTION

PRICE | **CRITICAL ENVIRONMENTS**

Project:

271597

Revision: A

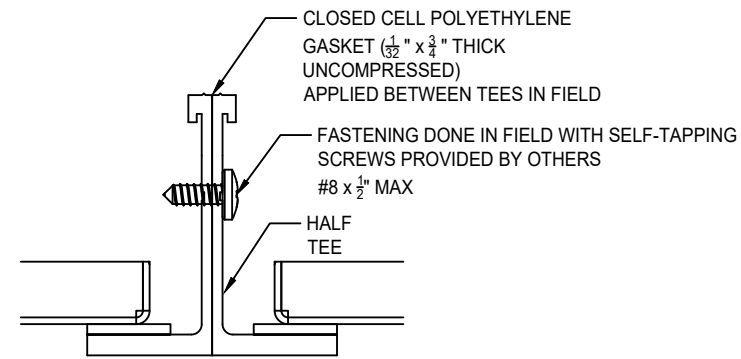
08-01-2023

• VISUAL WIRING DETAIL IS SHOWN FOR REFERENCE ONLY, REFERENCE INSTALLATION MANUAL FOR WIRING DIAGRAMS
• INSTALLATION WORK AND ELECTRICAL WIRING MUST BE COMPLETED BY A CERTIFIED ELECTRICIAN AND/OR QUALIFIED PERSON(S) IN ACCORDANCE WITH APPLICABLE ELECTRICAL CODES AND STANDARDS

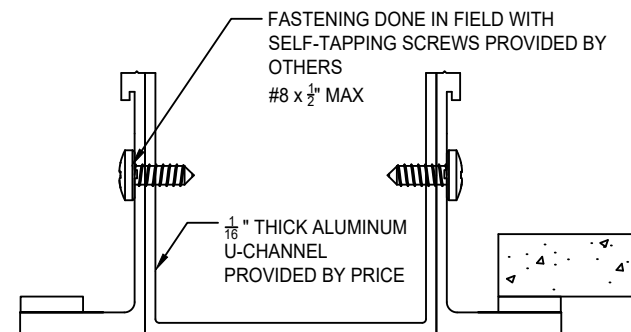
ULTRASUITE® + STRUCTURE

OPERATING ROOM DIFFUSER SYSTEM WITH INTEGRATED LED LIGHTING AND STEEL STRUCTURAL SUPPORT

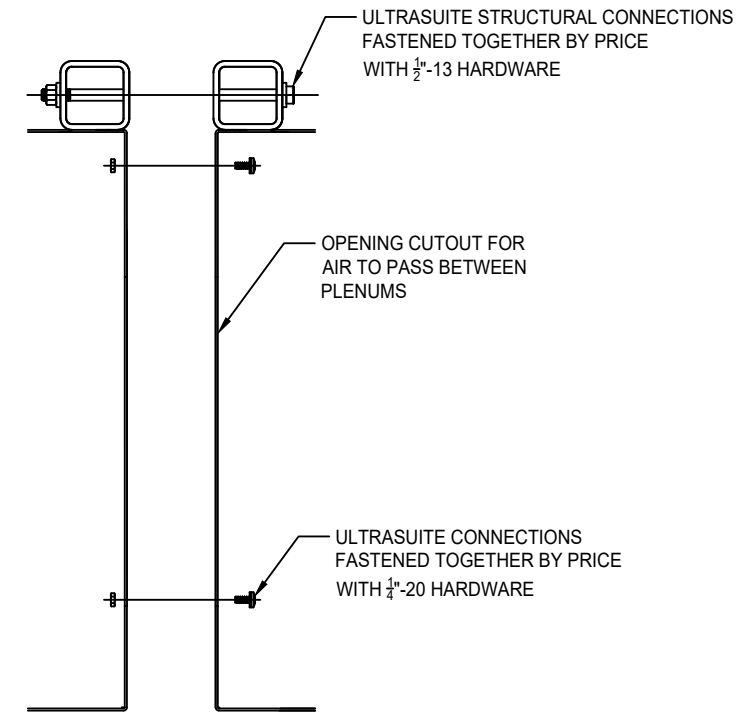
HGWC INTEGRATION DETAILS



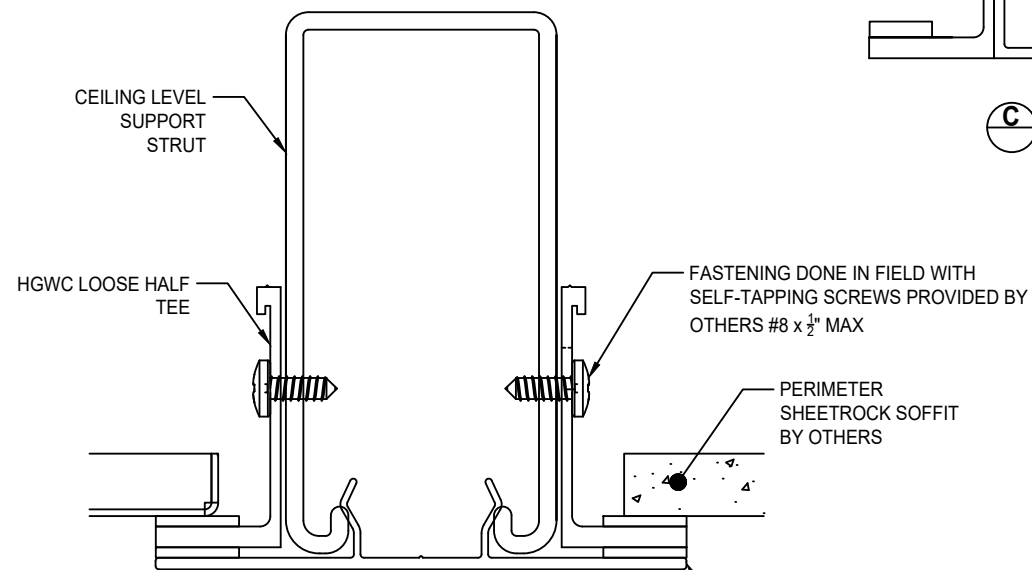
A HALF TEE FIELD JOINT



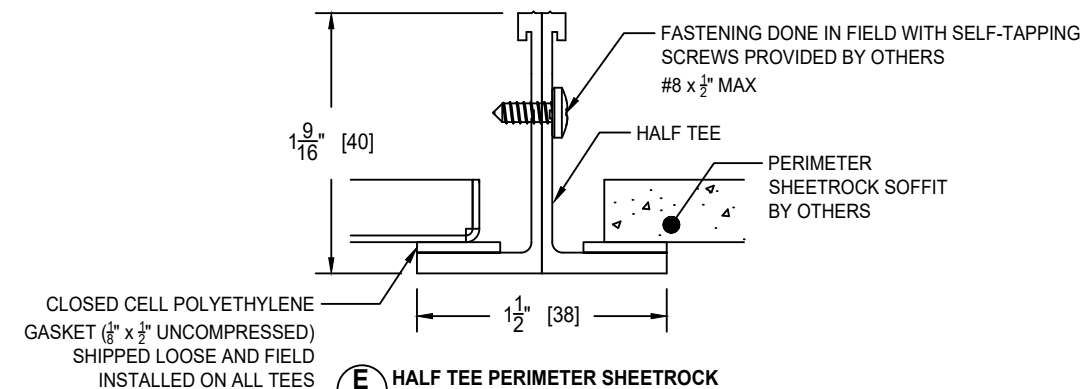
C U CHANNEL DETAIL



D BOLTED JOINT ASSEMBLY



B LOOSE HALF TEE PERIMETER SHEETROCK SOFFIT DETAIL



E HALF TEE PERIMETER SHEETROCK SOFFIT DETAIL

price | **CRITICAL ENVIRONMENTS**

Project:

271597

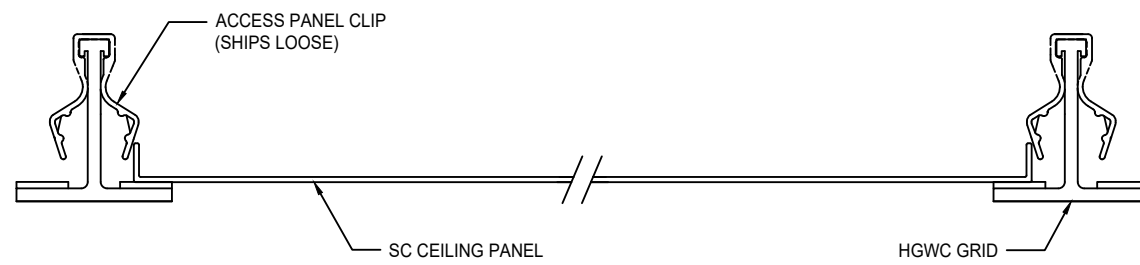
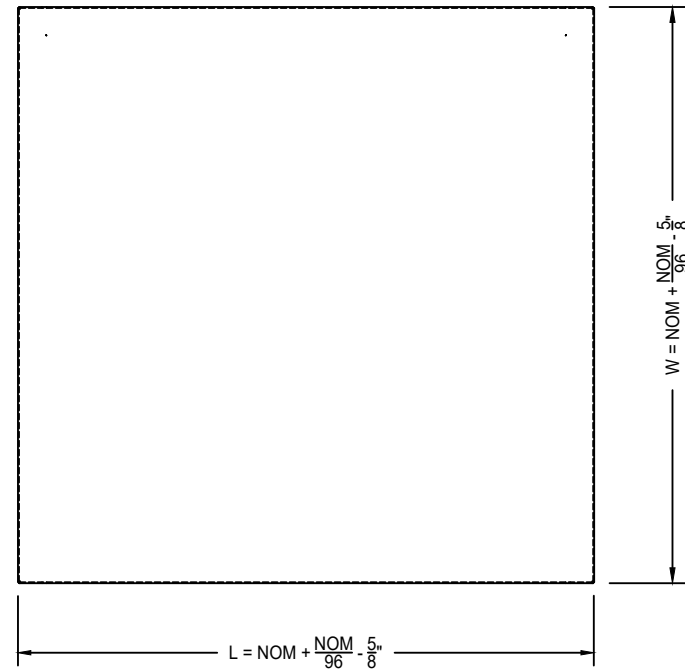
Revision: A

08-01-2023

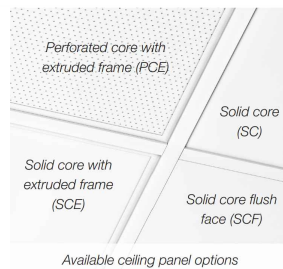
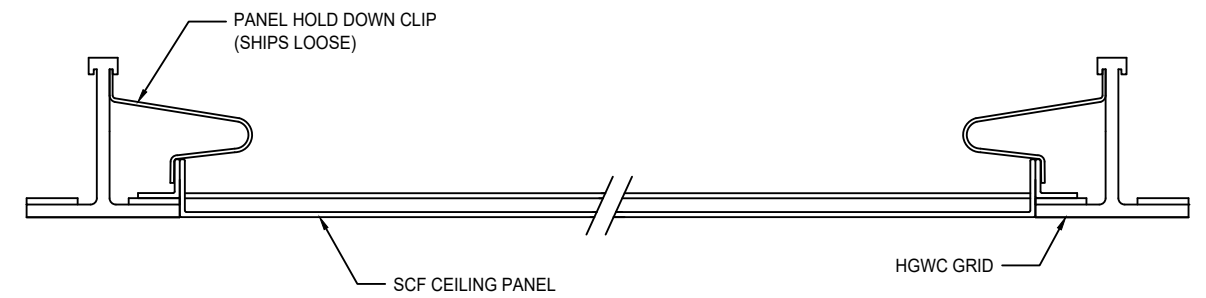
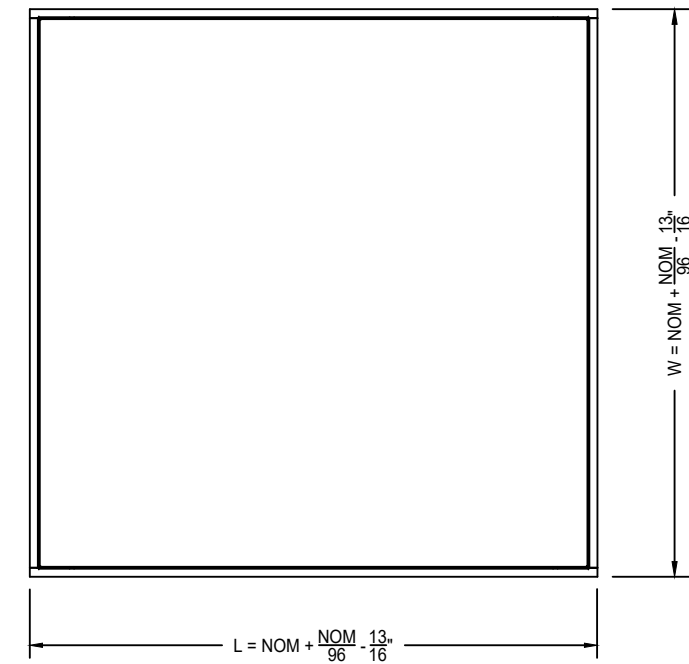
ULTRASUITE[®] + STRUCTURE

OPERATING ROOM DIFFUSER SYSTEM WITH INTEGRATED LED LIGHTING AND STEEL STRUCTURAL SUPPORT

SC - SOLID CORE



SCF - SOLID CORE WITH FLUSH MOUNT FRAME



PANEL MATERIAL / FINISH:

- SC PANEL - .080" ALUMINUM / B12 STANDARD WHITE
- SCF PANEL - .040" ALUMINUM / B12 STANDARD WHITE

CEILING TYPE:

- HGWC - 1 1/2" HOSPITAL GRADE WELDED CEILING SYSTEM

PRICE | **CRITICAL ENVIRONMENTS**

Project:

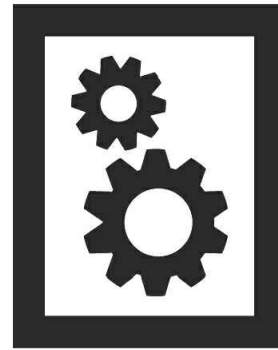
271597

Revision: A

08-01-2023

ULTRASUITE® + STRUCTURE

OPERATING ROOM DIFFUSER SYSTEM WITH INTEGRATED LED LIGHTING AND STEEL STRUCTURAL SUPPORT SUPPORTING CONTENT



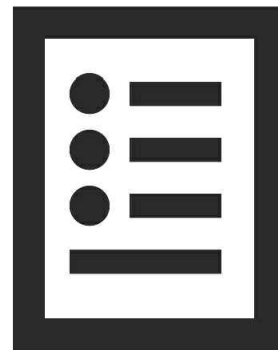
MANUALS

ULTRASUITE MANUAL
FTR ROOM-SIDE REPLACEABLE FILTER (RSR) QUICK START GUIDE
URDC ULTRA DRIVER CABINET MANUAL
UCA ULTRA COMPONENTS AND ACCESSORIES MANUAL
HGWC HOSPITAL GRADE WELDED CEILING SYSTEM WITH INTEGRATED UNISTRUT MANUAL



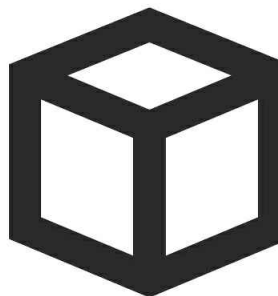
CATALOGUE / PERFORMANCE

USA ULTRASUITE CATALOGUE
USA ULTRASUITE PERFORMANCE
USA ULTRASUITE PERFORMANCE (METRIC)



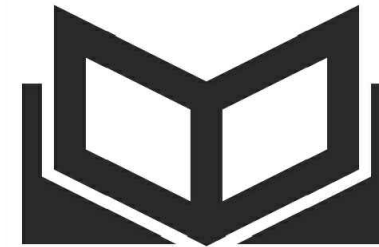
SPECIFICATIONS

USA ULTRASUITE SPECIFICATIONS



REVIT FILES

USAS HYBRID OR/IMAGING SUITE REVIT FILE



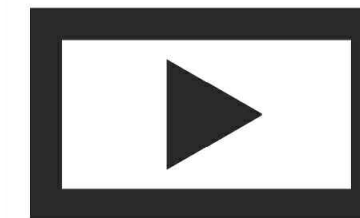
BROCHURES

USA ULTRASUITE BROCHURE
USA ULTRASUITE OPERATING ROOM HVAC DESIGN GUIDE
USA ULTRASUITE PROJECT LIST
USA ULTRASUITE CASE STUDY LIBRARY



SUBMITTALS

UCA ULTRA COMPONENTS AND ACCESSORIES SUBMITTAL
FTR REPLACEMENT FILTER SUBMITTAL
HGWC HOSPITAL GRADE WELDED CEILING SYSTEM SUBMITTAL



VIDEOS

USA ULTRASUITE LAUNCH VIDEO
USA ULTRASUITE INSTALLATION TIME LAPSE VIDEO
USA ULTRASUITE SMOKE TEST VIDEO
USA ULTRASUITE IN BAYLOR SCOTT & WHITE MEDICAL CENTER TESTIMONIAL
HEPA FILTER REPLACEMENT (USA AND UFFU) VIDEO
USA ULTRASUITE SEISMIC TESTING



FOR MORE INFORMATION ON PRICE ULTRASUITE SYSTEMS, VISIT
PRICEINDUSTRIES.COM

price | **CRITICAL ENVIRONMENTS**

Project:

271597

Revision: A

08-01-2023